




Location:



9600-PLR, 9600-PLR-TRM, 9600PLRTRMTC
Shower Valve Trim
Specification Submittal



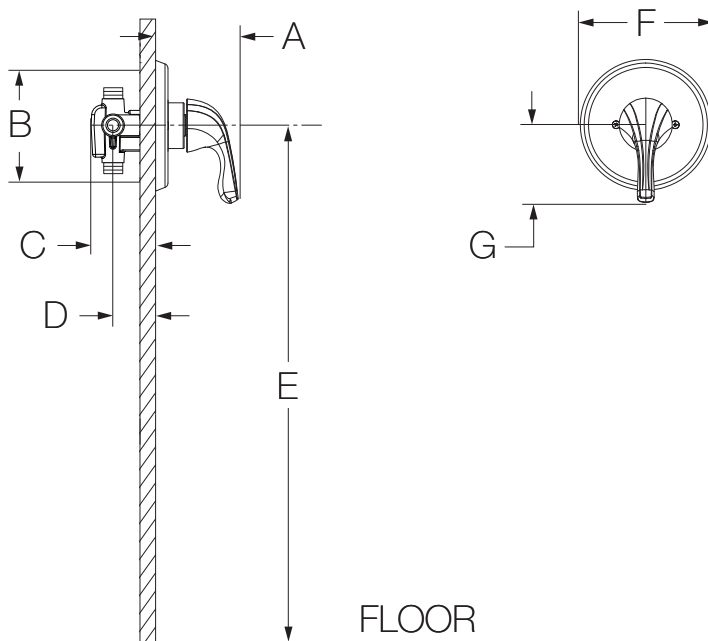
Feature Highlights	Options/Modifications
<ul style="list-style-type: none"> Origins Shower Valve System or Trim Requires Temptrol® Pressure Balancing Shower Valve (included with 9600-PLR) Adjustable stop screw to limit handle turn (included with 9600-PLR) Metal lever handle Diverter tub spout not included Showerhead not included Components shall be metal and nonmetallic construction, plated in standard Polished Chrome finish Available with TA-10 flow control spindle and T-12A cap assembly for Temptrol valve bodies installed with Test Cap (order p/n 9600PLRTRMTC) 	<ul style="list-style-type: none"> <input type="checkbox"/> -B <i>Brass escutcheon (chrome only)</i> <input type="checkbox"/> -D <i>Brass dome cover (chrome only)</i> <input type="checkbox"/> -LAM  <i>Metal finish insert handle</i> <input type="checkbox"/> -LP  <i>Loop handle</i> <input type="checkbox"/> -OP <i>13" oval plate</i> <input type="checkbox"/> -REB <i>Rebuild trim kit, includes TA-10 and TA-4</i> <input type="checkbox"/> -VP <i>Vandal resistant escutcheon screws in place of standard screws</i> <input type="checkbox"/> -STN <i>Satin Nickel finish</i>
<p>Model Numbers</p> <ul style="list-style-type: none"> <input type="checkbox"/> 9600-PLR Shower Valve Trim with Temptrol Pressure Balancing Shower Valve <input type="checkbox"/> 9600-PLR-TRM Shower Valve Trim, Temptrol Pressure Balancing Shower Valve ordered separately <input type="checkbox"/> 9600PLRTRMTC Shower Valve Trim with TA-10 flow control spindle and T-12A cap assembly, must order Temptrol valve with Test Cap 	<p>Note: Append appropriate -suffix to model number.</p>
<p>Compliance</p> <ul style="list-style-type: none"> ASME A112.18.1/CSA B125.1 Buy American Act (9600-PLR only) 	
<p>Warranty</p> <p>Limited Lifetime - to the original end purchaser in consumer/residential installations. 5 Years - for industrial/commercial installations. Refer to www.symmons.com/warranty for complete warranty information. Go to www.symmons.com/register to register your Symmons product.</p>	



FLORESTONE

A spec above.

Dimensions



Measurements	
A	3-5/8", 92 mm
B	Shower Valve Hole Size Min. Ø 3", 76 mm Max. Ø 4", 102 mm
C	3-1/2", 89 mm
D	Rough-in 2-3/8" ± 1/2", 60 mm ± 13 mm
E	Ref. 42", 1067 mm
F	Ø 5-3/4", 146 mm
G	3-3/8", 86 mm

Notes:

- 1) Valve body and piping not included and shown as reference only.
- 2) Plaster shield (p/n T-176) for dry wall, plaster or other type walls 1/2" or greater.
- 3) All dimensions measured from nominal rough-in (see D as reference).
- 4) Dimensions subject to change without notice.

Symmons Industries, Inc. ■ 31 Brooks Drive ■ Braintree, MA 02184 ■ Phone: (800) 796-6667 ■ Fax: (800) 961-9621
 Copyright © 2019 Symmons Industries, Inc. ■ symmons.com ■ gethelp@symmons.com ■ ZV-1307 REV B ■ 020119



2851 Falcon Drive | Madera, CA 93637
 T. 559.661.4171 | T. 800.446.8827 | F. 559.661.2070

florestone.com