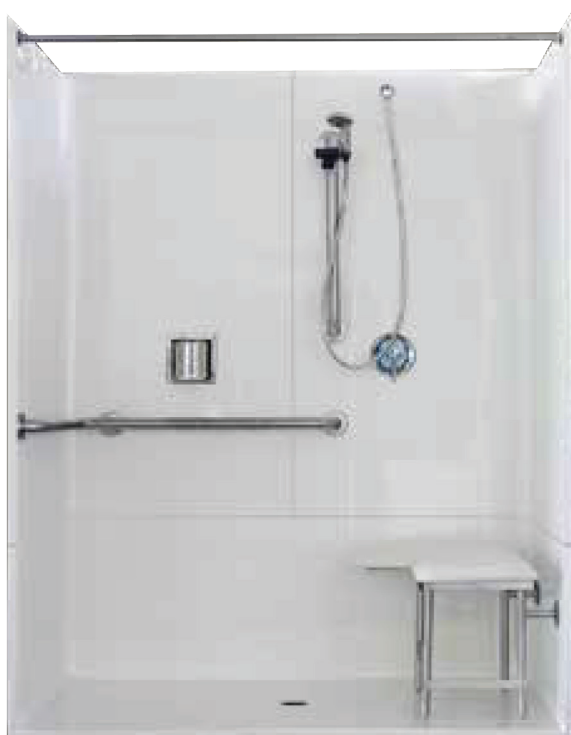


SHOWER

Interior Dimensions: 60" W x 31 1/2" D x 79" H

Exterior Dimensions: 62" W x 34" D x 80" H



FEATURES

- Three-piece shower
- Barrier-free when properly installed
- Made with durable AcrylX™ applied acrylic
- Supplied with a 2" brass drain
- Available with the following accessories:
 - Stainless steel curtain rod
 - Symmons® pressure balance mixing valve with concealed check stops
 - Moen® hand-held shower head with hose and chrome-plated slide bar
 - Stainless steel corner grab bar
 - Stainless steel recessed soap dish
 - White naugahyde folding wheelchair transfer seat

CODE COMPLIANCE

- IAPMO

Note: Local ANSI compliance and code may vary from the ADA code compliance on existing Florestone units. If you would like a different placement of grab bars or valves other than stated on the Spec Sheets of each unit, please make a note on your PO on the specific dimension placement you would like the accessories attached. Please contact Florestone Inside Sales for clarification or assistance.

COLOR OPTIONS

Standard Color	Code
----------------	------

White	WT
-------	----

Optional Colors

Colors matching most major manufacturers' colors are available.

FLORESTONE

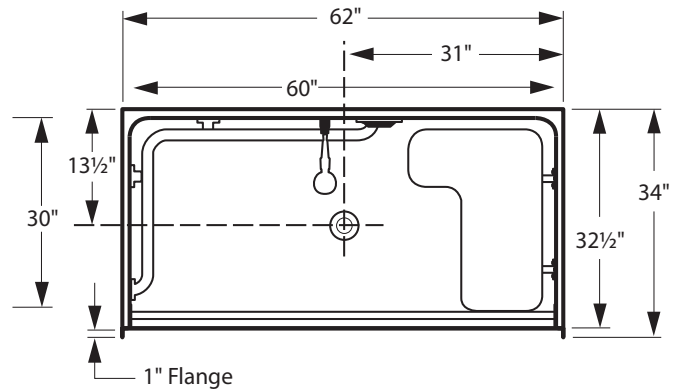
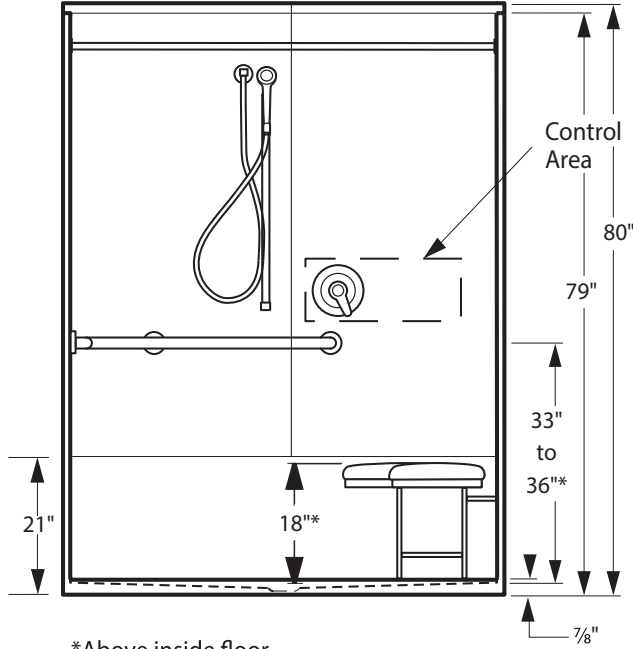
A spec above.



3PC-35-62H

Interior Dimensions: 60" W x 31 1/2" D x 79" H

Exterior Dimensions: 62" W x 34" D x 80" H



FEATURES Dimensional Tolerance $\pm 1/4"$. Dimensions needed for site preparation should be measured from the unit. American Bath Group assumes no responsibility for preparatory work.

Model #	Material	Wall Finish	Drain	Net Wt.
Shower #3PC-35-62H	AcrylX™	Smooth	Center	280

DIMENSIONS

Specifications	inches
Width: Overall / Net	62 / 60
Depth: Overall / Net	34 / 31 1/2
Height: Overall / Net	80 / 79
Enclosure Opening	60
Threshold Height	7/8
Drain Rough-In (from Back Wall)	13 1/2
Drain Rough-In (from Side Wall)	31
Drain: Diameter / Clearance	2

FRAMING DIMENSIONS inches

Type	D Depth	W Width	H Height	A	B	C
Alcove	62 1/4	34 1/4	-	Box Out	31	13 1/2

