

SHOWER

Interior Dimensions: 60" W x 31 ½" D x 79" H

Exterior Dimensions: 62" W x 34" D x 80" H



FEATURES

- One-piece shower
- Barrier-free when properly installed
- Made with durable AcrylX™ applied acrylic
- Supplied with a 2" brass drain
- Available with the following accessories:
 - Stainless steel curtain rod
 - Symmons® pressure balance mixing valve with concealed check stops
 - Moen® hand-held shower head with hose and chrome-plated slide bar
 - Stainless steel corner grab bar
 - Stainless steel recessed soap dish
 - White naugahyde folding wheelchair transfer seat

CODE COMPLIANCE

- IAPMO

Note: Local ANSI compliance and code may vary from the ADA code compliance on existing Florestone units. If you would like a different placement of grab bars or valves other than stated on the Spec Sheets of each unit, please make a note on your PO on the specific dimension placement you would like the accessories attached. Please contact Florestone Inside Sales for clarification or assistance.

COLOR OPTIONS

| Standard Color | Code |
|----------------|------|
|----------------|------|

| | |
|-------|----|
| White | WT |
|-------|----|

Optional Colors

Colors matching most major manufacturers' colors are available.

FLORESTONE

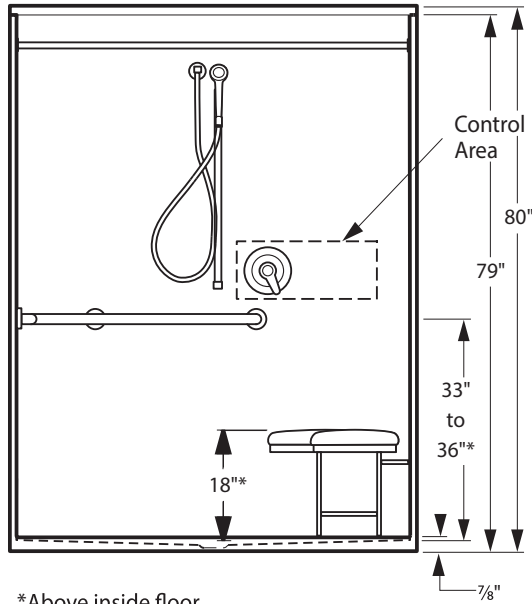
A spec above.



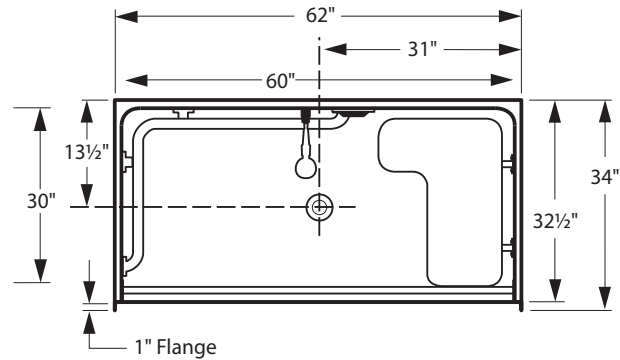
35-62H

Interior Dimensions: 60" W x 31 1/2" D x 79" H

Exterior Dimensions: 62" W x 34" D x 80" H



*Above inside floor



FEATURES Dimensional Tolerance $\pm 1/4"$. Dimensions needed for site preparation should be measured from the unit. American Bath Group assumes no responsibility for preparatory work.

| Model # | Material | Wall Finish | Drain | Net Wt. |
|----------------|----------|-------------|--------|---------|
| Shower #35-62H | AcrylX™ | Smooth | Center | 280 |

DIMENSIONS

| Specifications | inches |
|---------------------------------|-------------|
| Width: Overall / Net | 62 / 60 |
| Depth: Overall / Net | 34 / 31 1/2 |
| Height: Overall / Net | 80 / 79 |
| Enclosure Opening | 60 |
| Threshold Height | 7/8 |
| Drain Rough-In (from Back Wall) | 13 1/2 |
| Drain Rough-In (from Side Wall) | 31 |
| Drain: Diameter / Clearance | 2 |

FRAMING DIMENSIONS inches

| Type | D Depth | W Width | H Height | A | B | C |
|--------|------------|------------|-------------|---------|----|--------|
| Alcove | 62 1/4 | 34 1/4 | - | Box Out | 31 | 13 1/2 |

