

Customer: \_\_\_\_\_

PO #: \_\_\_\_\_

Job Name: \_\_\_\_\_

Quote#: \_\_\_\_\_

Date: \_\_\_\_\_

Quantity: \_\_\_\_\_

Ship To: \_\_\_\_\_  
 \_\_\_\_\_  
 \_\_\_\_\_  
 \_\_\_\_\_

Notes: \_\_\_\_\_  
 \_\_\_\_\_  
 \_\_\_\_\_  
 \_\_\_\_\_  
 \_\_\_\_\_

**Standard Features**

- One-piece unit
- AcrylX™ applied acrylic
- Slip-resistant floor

Interior Dimensions: 56" W x 31" D x 79" H

Exterior Dimensions: 59 3/4" W x 32" D x 80 1/2" H

Skirt Height: 14 1/2"

Weight: 200 lbs

Wall Finish: Smooth

Drain Location: End (Left or Right)

Material: AcrylX™

**CONFIGURATION (handed by seat)**

Fully Configured – ADA      Drain Location:  Left-Handed Drain     Right-Handed Drain

**Includes:** Symmons® pressure balance mixing valve with concealed check stops; Moen® hand held shower head with hose and stainless steel slide bar/grab bar; tension rod; two 18" stainless steel grab bars; two 24" stainless steel grab bars; one 22" stainless steel grab bar; one bathtub folding seat; molded-in corner soap dish

**CUSTOM OPTIONS (Not Available if Fully Configured Option is selected)**

**Seat:**  Left-Handed Phenolic Seat       Right-Handed Phenolic Seat

Straight Grab Bars (All Grab Bars are Stainless Steel unless otherwise noted):

12"(left side wall) – QTY: \_\_\_\_\_      12"(right side wall) – QTY: \_\_\_\_\_      16" – QTY: \_\_\_\_\_      18" – QTY: \_\_\_\_\_

Location: \_\_\_\_\_      Location: \_\_\_\_\_      Location: \_\_\_\_\_

22" – QTY: \_\_\_\_\_      24" – QTY: \_\_\_\_\_      26" – QTY: \_\_\_\_\_

Location: \_\_\_\_\_      Location: \_\_\_\_\_      Location: \_\_\_\_\_

Fixture Wall:  Left     Right     Back

Hand-held shower assembly with 30" slide bar and 60" hose

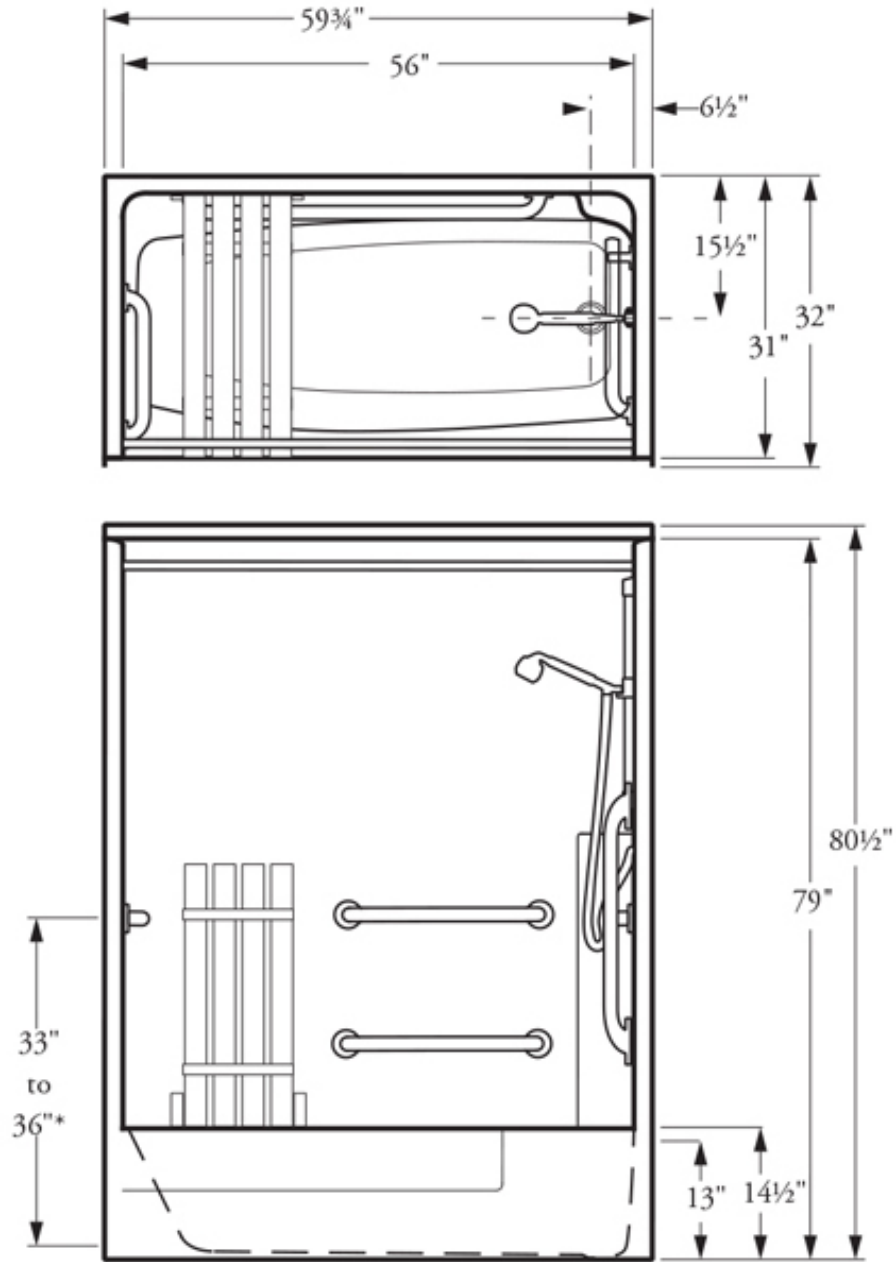
Pressure balancing mixing valve

**OPTIONAL ACCESSORIES**

Shower Curtain     Curtain Rod     2" Drain     Collapsible Water Dam



ANY ALTERATIONS TO ACCESSORIES SHOWN BELOW, PLEASE NOTE ON THESE DRAWINGS.



Plumbing Contractor Approval: \_\_\_\_\_ Date: \_\_\_\_\_

General Contractor Approval: \_\_\_\_\_ Date: \_\_\_\_\_

Engineer Approval: \_\_\_\_\_ Date: \_\_\_\_\_

Architect Approval: \_\_\_\_\_ Date: \_\_\_\_\_