

Technical Specification Decorative Tension Rod

TR1000

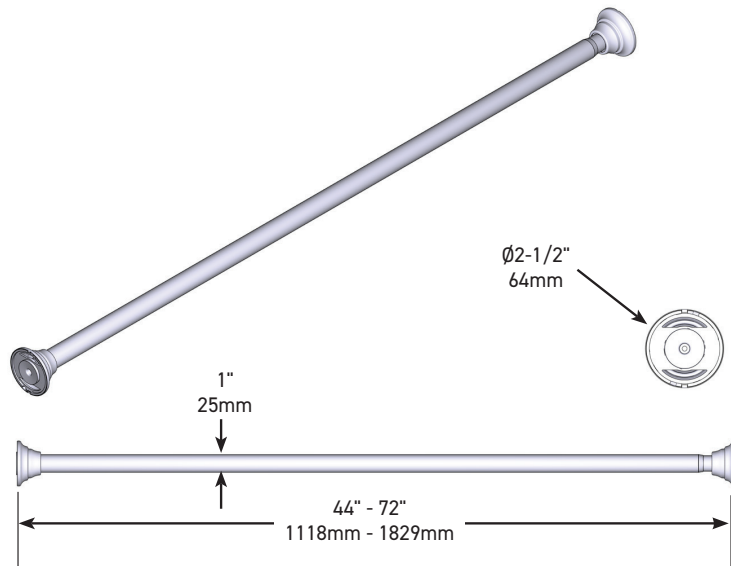
Stock Numbers:

- **TR1000CH – Decorative Tension Rod**
Chrome Finish
- **TR1000BN – Decorative Tension Rod**
Brushed Nickel Finish
- **TR1000BL – Decorative Tension Rod**
Matte Black Finish
- **TR1000OWB – Decorative Tension Rod**
Old World Bronze Finish

Materials:

Rod is constructed of 201 Stainless Steel.
Decorative Covers are constructed of 430 Stainless Steel.

Dimensions:



Installation Instructions:

1. Position one side of the tension rod at the desired height in the tub enclosure or wall.
2. Expand the rod out to the other side of the tub enclosure or wall.
3. While holding the larger sized rod, twist the smaller sized rod clockwise until it is firmly locked into position on the wall.

Cleaning Instructions:

To preserve the fine finish of this product, clean only with a soft damp cloth. Dry well. Do not use commercial or abrasive cleaners.

Stock Number: _____ Tension Rod
By Moen Incorporated

25300 AL MOEN DRIVE • NORTH OLMSTED, OH 44070
CORPORATE HEADQUARTERS: (800) 321-8809 • FAX: (800) 848-6636
INTERNATIONAL: (440) 962-2000 • FAX: (440) 962-2726
CUSTOMER SERVICE (USA): 800-882-0116 • FAX: (888) 379-2720
WWW.MOEN.COM
© 2023 Moen Incorporated. Moen is a registered trademark.
Incorporated. All rights reserved.

MOEN®

