

## SEACHROME

Seachrome Corporation  
1906 East Dominguez Street  
Long Beach, California 90810  
Phone: (800) 955-2476  
Fax: (800) 444-3380

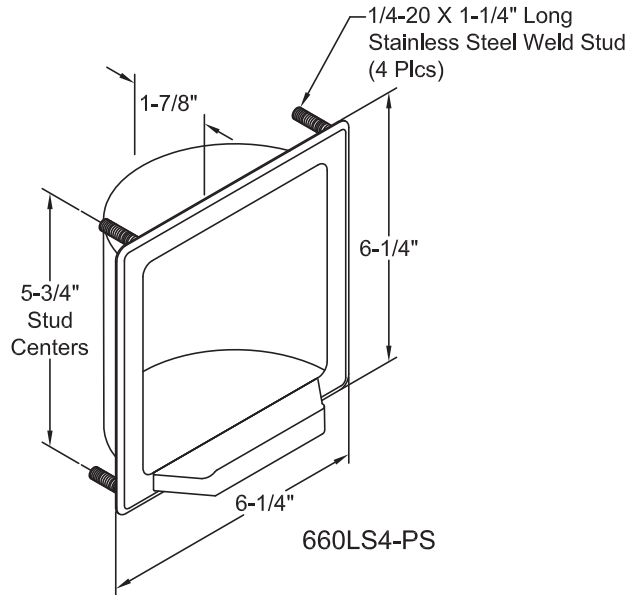
Description:

**660LS4-PS**  
**Recessed Soap and Tumbler Holder**

Customer:

Customer Part #

08-28-2015



### Specifications:

All Accessories are fabricated of Type 304 Stainless Steel, available in Polished Stainless Finish. Plated Steel Mounting Clamp attaches to back of unit with two stainless sheet metal screws for installation in stud wall construction and countertop aprons.

**SHELL & FLANGE:** 18-8 Type 304 22ga (0.8mm) stainless steel, drawn, one piece, seamless construction with two countersunk mounting holes.

**SOAP TRAY:** Welded 18-8 Type 304 22ga (.08mm)

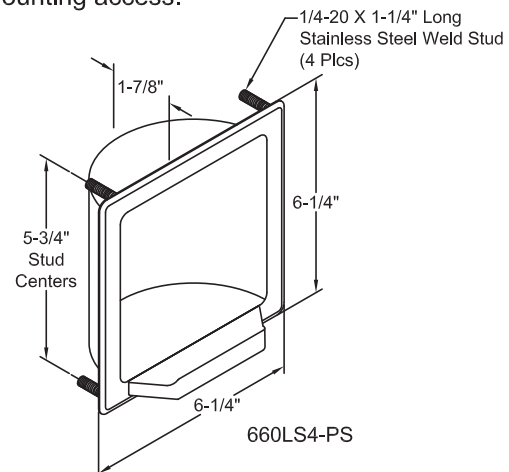
**MOUNTING STUDS:** (4) 1/4-20 x 1-1/4" Long Stainless Steel Studs. (5-3/4" Centers between threaded studs).

**FINISH:** Polished Stainless Finish

### Installation:

1. The wall hole size should be 5-1/4" square, large enough to insert the rounded portion of the soap dish.
2. Center the mounting bracket in the wall opening applying pressure to mark mounting studs location.
3. Drill 1/4-20 clearance holes thru marked locations and tighten screws to insure snug fit.

**Note:** this unit is only for shower units with rear mounting access.



This information is subject to change without formal notice. If you need any additional help, Seachrome Corporation has a technical support staff that is ready to assist you.

