

Customer: \_\_\_\_\_

PO #: \_\_\_\_\_

Job Name: \_\_\_\_\_

Quote#: \_\_\_\_\_

Date: \_\_\_\_\_

Quantity: \_\_\_\_\_

Ship To: \_\_\_\_\_  
 \_\_\_\_\_  
 \_\_\_\_\_  
 \_\_\_\_\_

**Standard Features**

- One-piece unit
- 2" Threshold
- AcrylX™ applied acrylic
- Slip-resistant floor

Interior Dimensions: 58" W x 35" D x 77" H

Exterior Dimensions: 60" W x 36" D x 78" H

Skirt Height: 2"

Weight: 285 lbs

Wall Finish: Smooth

Drain Location: Center

Material: AcrylX™

Notes: \_\_\_\_\_  
 \_\_\_\_\_  
 \_\_\_\_\_  
 \_\_\_\_\_  
 \_\_\_\_\_

**CONFIGURATION (handed by seat)**

Fully Configured      Seat Location:  Left-Handed Seat     Right-Handed Seat

**Includes:** One stainless steel soap dish; Symmons® pressure balance mixing valve with concealed check stops; Moen® hand held shower head with hose and stainless steel slide bar/grab bar; a collapsible water dam; 2" drain; tension rod; one stainless steel corner bar; white Naugahyde folding wheelchair transfer seat (specify left or right hand).

**CUSTOM OPTIONS (Not Available if Fully Configured Option is selected)**

**Seat:**  Left-Handed Phenolic Seat     Right-Handed Phenolic Seat

**Straight Grab Bars (All Grab Bars are Stainless Steel unless otherwise noted):**

12"(left side wall) – QTY: \_\_\_\_\_    12"(right side wall) – QTY: \_\_\_\_\_    16" – QTY: \_\_\_\_\_    18" – QTY: \_\_\_\_\_

Location: \_\_\_\_\_    Location: \_\_\_\_\_    Location: \_\_\_\_\_

22" – QTY: \_\_\_\_\_    24" – QTY: \_\_\_\_\_    26" – QTY: \_\_\_\_\_

Location: \_\_\_\_\_    Location: \_\_\_\_\_    Location: \_\_\_\_\_

Fixture Wall:  Left     Right     Back

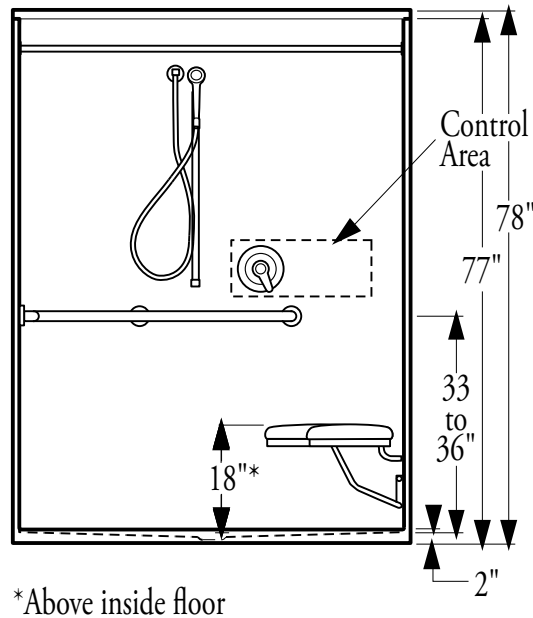
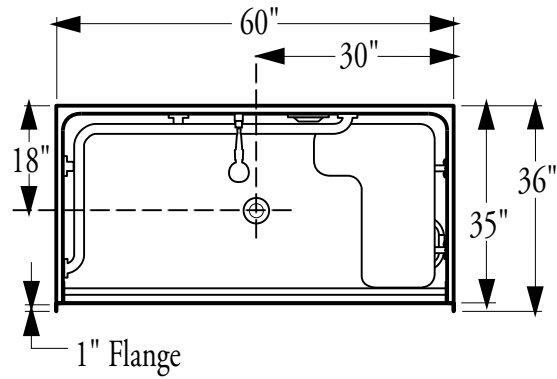
Hand-held shower assembly with 30" slide bar and 60" hose

Pressure balancing mixing valve

**OPTIONAL ACCESSORIES**

Shower Curtain     Curtain Rod     2" Drain     Collapsible Water Dam

ANY ALTERATIONS TO ACCESSORIES SHOWN BELOW, PLEASE NOTE ON THESE DRAWINGS.



Plumbing Contractor Approval: \_\_\_\_\_ Date: \_\_\_\_\_

General Contractor Approval: \_\_\_\_\_ Date: \_\_\_\_\_

Engineer Approval: \_\_\_\_\_ Date: \_\_\_\_\_

Architect Approval: \_\_\_\_\_ Date: \_\_\_\_\_