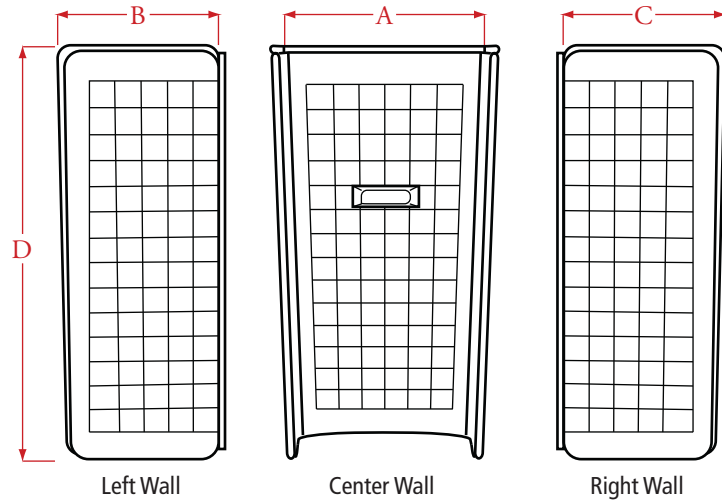


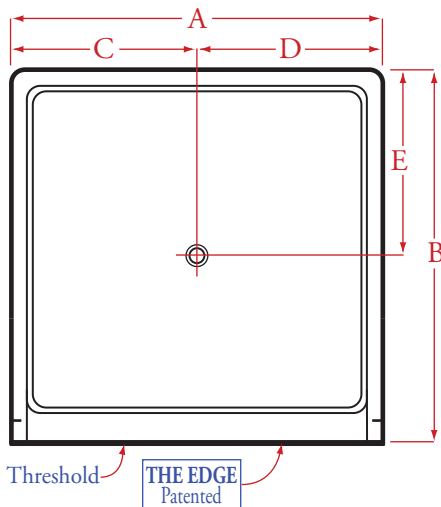
Shower Wall System

3PC Shower Wall

Model	A	B	C	D
3636WS	36"	26"	26"	71"
3448WS	48"	26"	26"	71"
3460WS	60"	26"	26"	71"
3060WS	60"	26"	26"	71"
3260WS	60"	26"	26"	71"



Shower Receptors



NOTE: For more detailed information please refer to the Shower Receptors catalog.

Molded Fiberglass Shower Receptors

Model	A	B	C	D	E	WT
3636F	36"	36"	18"	18"	18"	38
3448F	48"	34"	24"	24"	17"	44
3460F	60"	34"	30"	30"	17"	50
3060F*	60"	30"	52"	8"	15"	45
3060F-BF*	60"	30"	52"	8"	15"	45
3260F*	60"	32"	52"	8"	15"	45

* End drain shower receptor. Please specify RH or LH drain.

Molded Shower Receptors with The Edge

Model	A	B	C	D	E	WT
3636-1	36"	36"	18"	18"	18"	56
4834-1	48"	34"	24"	24"	17"	70
6034-1	60"	34"	30"	30"	17"	90

Product Information

The Florestone Wall System is shipped in two cartons. One contains the Back Wall and the other contains the two Side Walls. Before beginning installation, check for damage. Report damage to your supplier. **DO NOT INSTALL A DAMAGED UNIT.**

IMPORTANT: Sealant must be applied to the seam where the walls meet the receptor and where the Side Walls and Back Wall interlock to avoid water damage.

Do not use abrasive or acid based materials on wall surface.

OBSERVE ALL LOCAL PLUMBING CODES.