

**Florestone
Model SR
Self-Rimming
Utility Sink**

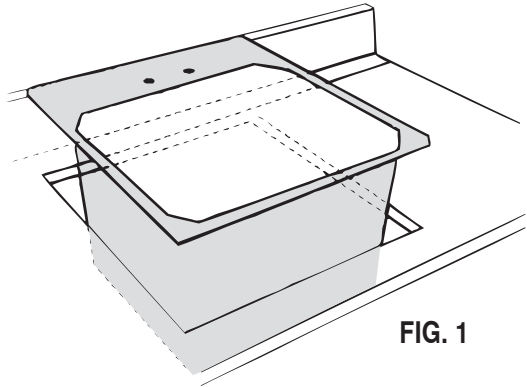


FIG. 1

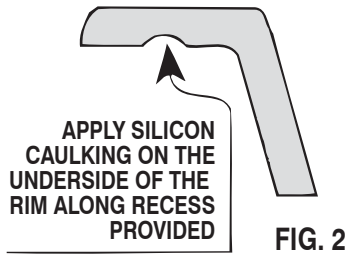


FIG. 2

**Suggested
Installation Instructions**

1. Lay out your countertop cutout, 20½" x 23½". Drill four ¾" diameter holes in the corners and saw cut on the **INSIDE** of the line. Test fit sink into the cutout.

NOTE: These dimensions are maximums. Do not exceed them.

2. Take sink out of the cutout and install faucet (supplied by others). Make the plumbing connections to the faucet using flexible lines if you can.
3. Install Drain - Apply only silicon to drain flange (Do not use Plumbers Putty or it may adversely affect drain and will void warranty.)
4. Apply a continuous bead of ¼" diameter silicon caulking to the underside of the rim along the recess provided (see Fig. 2).
5. Set sink into the hole. Fasten into place with the locking bars and screws furnished (see Fig. 3). Do not over tighten. Tighten screws until the bars touch the underside of the countertop and will not spin. Wipe off excess caulking.

6. Connect drain.

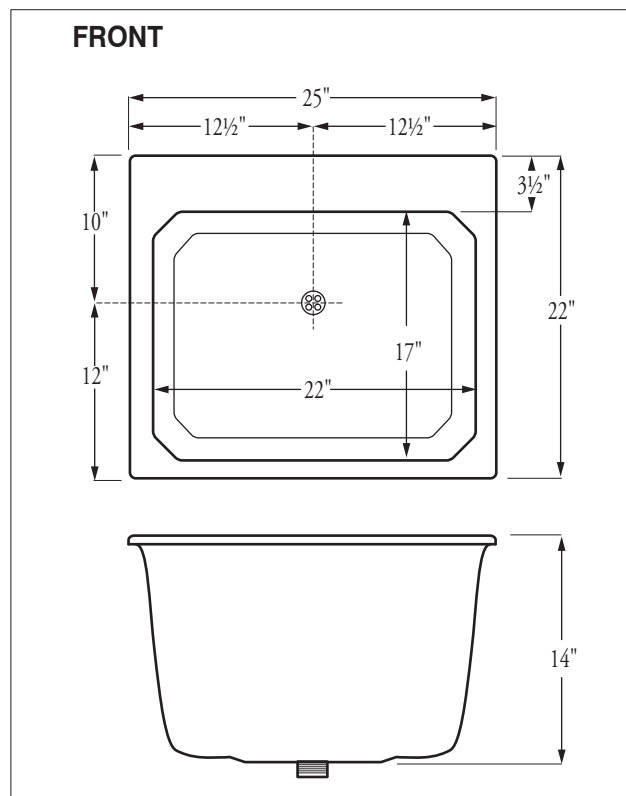


FIG. 4

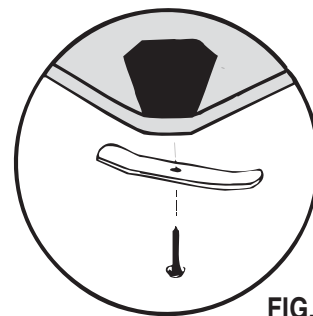


FIG. 3

 **FLORESTONE**
A Spec Above.™

FLORESTONE PRODUCTS CO., INC.

2851 Falcon Drive • Madera, CA 93637

T. 559.661.4171 • T. 800.446.8827

F. 559.661.2070 • florestone.com