

**Florestone
Model 36-NEO
Fiberglass Shower**

37½" x 37½" x 73"

Weight: 93 lbs.

**Architect's
Specifications**

Furnish and install one piece shower unit Model 36-NEO as manufactured by Florestone Products Company. Unit to be manufactured of gel-coated fiberglass meeting Class C Flame Retardance and to be supplied with slip-resistant floor laminated for extra rigidity. Color will be white (unless otherwise specified).

Unit to be supplied with 2" PNC non-caulk drain.

Standard color: White.

Optional Colors

Colors matching most major manufacturers' colors are available.

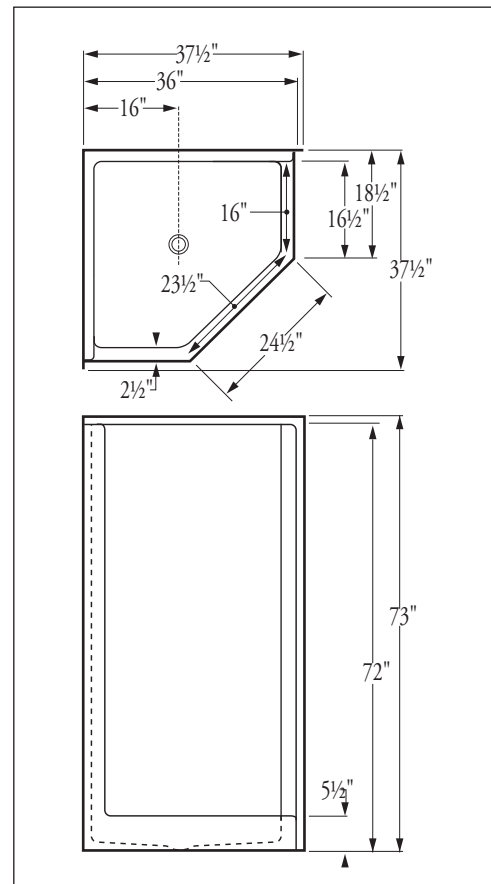
Standards:

ANSI-Z-124.2



Note:

Does not meet I.A.P.M.O. minimum size requirements. Check local codes.



FLORESTONE PRODUCTS CO., INC.

2851 Falcon Drive • Madera, CA 93637

T. 559.661.4171 • T. 800.446.8827

F. 559.661.2070 • florestone.com

**Dimensions may vary ± ¼" inch.
Please check unit before installation.**