

Florestone Terrazzo Model 350 NEO-Angle Shower Bases

Neo angle terrazzo shower base for corner installation, with 12" center drain and flanges on two sides for corner installation. Center door opening.

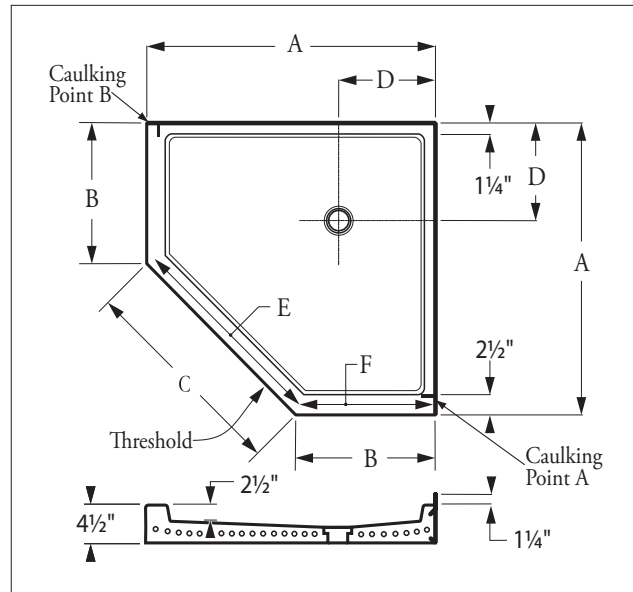
Architect's Specifications

Furnish and install Model 350 terrazzo base as manufactured by Florestone. Shoulder will be not less than 2½" inside. Nailing flange, cast integral, will be galvanized-bonderized steel and extend not less than one inch (1") above shoulder on two sides for installation. Drain body will be brass, cast integral, and will provide for a non-caulked connection not less than one inch deep to a two inch pipe. Base will be manufactured of tan and white marble chips cast in white Portland cement to produce a compressive strength of not less than 3,000 PSI, seven days after casting. Terrazzo surface will be ground, polished, and the entire unit sealed to resist stains and moisture after any air holes and/or pits are grouted. Base will be reinforced with 16 gauge wire. Removable type stainless steel strainer plate will be supplied.

Options

Offset drain.
Additional flanges.
(Drawings required)

Note: Terrazzo is not designed to be used with anything that is over 130 degrees Fahrenheit.



A	B	C	D	E	F	WT.
34"	17½"	22¾"	12"	22"	16"	250
36"	17¼"	26⅜"	12"	25½"	16½"	277
38"*	19"	26½"	12"	25½"	18½"	300
40"*	18⅞"	29¾"	12"	28"	18¾"	325
42"	22¼"	27⅞"	12"	25"	20"	?

*Meets I.A.P.M.O. minimum size requirements.



Standards: International Association of Plumbing and Mechanical Officials File No. 0687.

Dimensions may vary ± ¼" inch.

Please check unit before installation.

Place base on a minimum ¼" bed of mortar or plaster for warranty compliance.

**Dimensions subject to change without notice.
Contact Florestone Products to verify product specifications.**



FLORESTONE PRODUCTS CO., INC.

2851 Falcon Drive • Madera, CA 93637

T. 559.661.4171 • T. 800.446.8827

F. 559.661.2070 • florestone.com