

**FLORESTONE**  
**MODEL 2PC-32-3W**  
**FIBERGLASS SHOWER**

31½" x 35" x 73"

Weight: 93 lbs.

**Architect's Specifications**

Furnish and install two piece shower unit Model 2PC-32-3W as manufactured by Florestone Products Company. Unit to be manufactured of gel-coated fiberglass meeting Class C Flame Retardance and to be supplied with slip-resistant floor laminated for extra rigidity. Color will be white (unless otherwise specified). Unit to be supplied with 2" PNC non-caulk drain.

Standard color: White.

**Optional Colors**

Colors matching most major manufacturers' colors are available.

**Standards**

ANSI-Z-124.2



**FLORESTONE PRODUCTS CO., INC.**

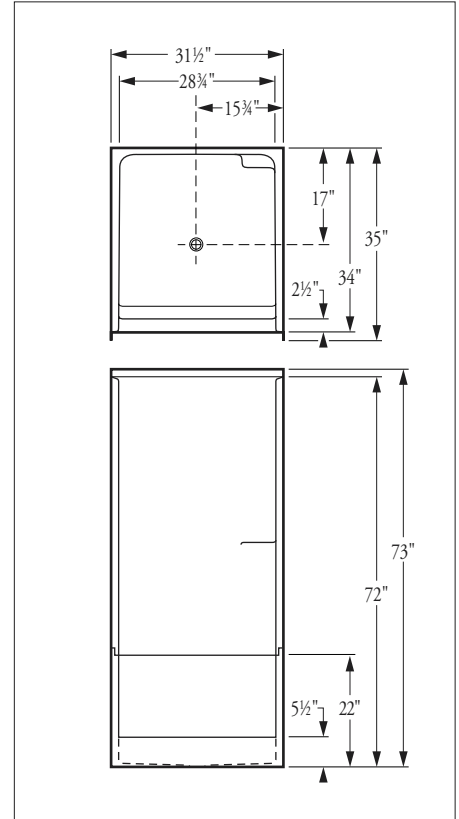
2851 Falcon Dr. • Madera, CA 93637-9287

Tel: 559-661-4171 • Fax: 559-661-2070

[www.florestone.com](http://www.florestone.com)



**Note:**  
 Does not meet  
 I.A.P.M.O.  
 minimum size  
 requirements.  
 Check local codes.



Dimensions may vary ± ¼ inch.  
 Please check unit before installation.