



Florestone Model 2PC-36-NEO Fiberglass Shower

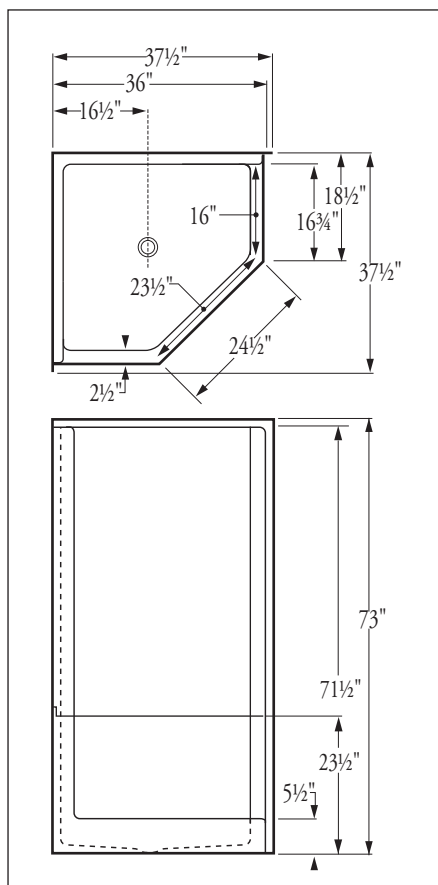
37½" x 37½" x 73"

Weight: 108 lbs.

Architect's Specifications

Furnish and install two piece shower unit Model 2PC-36-NEO as manufactured by Florestone Products Co. Unit to be manufactured of gel-coated fiberglass meeting Class C Flame Retardance. Unit to be supplied with slip-resistant floor laminated for extra rigidity. Color will be white (unless otherwise specified). Unit to be supplied with 2" PNC non-caulk drain.

Standard Color: White.



Note:

Does not meet I.A.P.M.O. minimum size requirements. Check local codes.

Optional Colors

Colors matching most major manufacturers' colors are available.

Standards

ANSI-Z-124.2



FLORESTONE PRODUCTS CO., INC.

2851 Falcon Drive • Madera, CA 93637

T. 559.661.4171 • T. 800.446.8827

F. 559.661.2070 • florestone.com

**Dimensions may vary ± ¼" inch.
Please check unit before installation.**