

Florestone 7244 Merida Fiberglass Custom Bath

72" x 43½" x 16½"

Weight: 128 lbs.

Capacity: 45 gallons

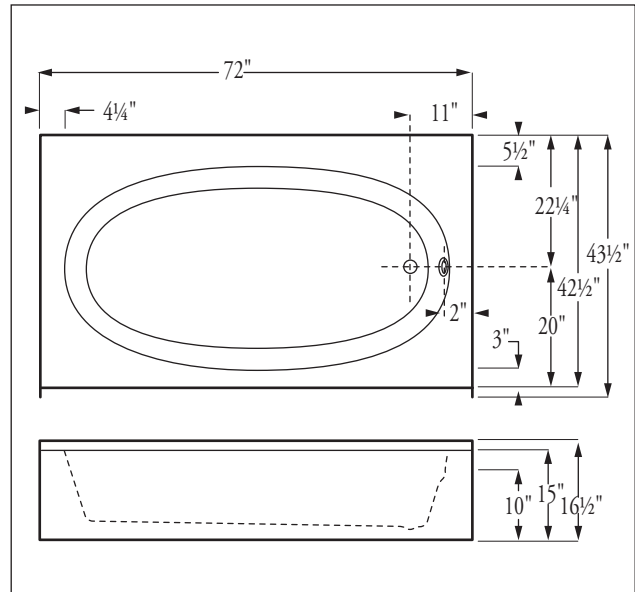
Architect's Specifications

Furnish and install bath unit Model 7244 as manufactured by Florestone Products Co. Unit to be manufactured of gel-coated fiberglass meeting Class C Flame Retardance. Unit to be supplied with laminated floor for extra rigidity.

Standard color: White.

Optional Colors

Colors matching most major manufacturers' colors are available.



**Dimensions may vary \pm ¼" inch.
Please check unit before installation.**

**Place bath in a bed of mortar or plaster
for warranty compliance.**

Bathing Area 63" x 33½" x 10"



FLORESTONE PRODUCTS CO., INC.

2851 Falcon Drive • Madera, CA 93637

T. 559.661.4171 • T. 800.446.8827

F. 559.661.2070 • florestone.com

Standards

I.A.P.M.O. Listed File 1595

ANSI-Z-124.1

ASTM-84 Test Method

