

**Florestone  
Model 7242  
Reyna Full Apron  
Fiberglass Custom Bath**

72" x 43½" x 23¼"

Weight: 132 lbs.

Capacity: 70 gallons

**Architect's  
Specifications**

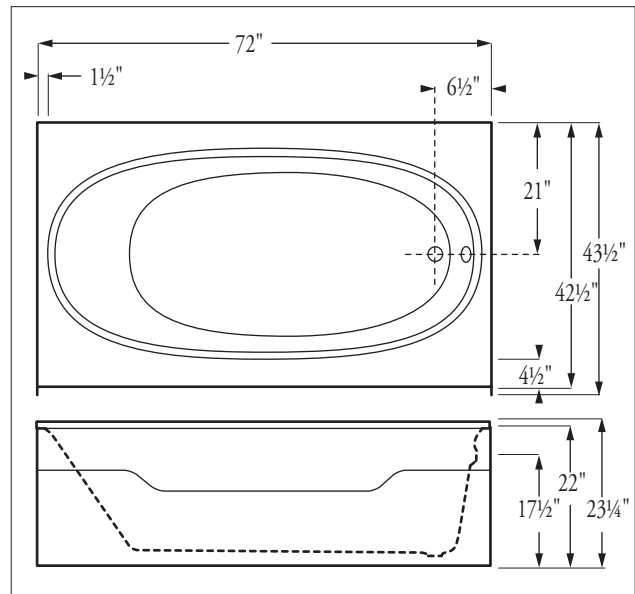
Furnish and install bath unit Model 7242 as manufactured by Florestone Products Co. Unit to be manufactured of gel-coated fiberglass meeting Class C Flame Retardance. Unit to be supplied with laminated floor for extra rigidity.

Specify RH or LH drain.

**Fiberglass Colors**

Standard color: White

For availability of special order colors, see Colors and Options.



**Dimensions may vary  $\pm$  ¼" inch.  
Please check unit before installation.**

**Place bath in a bed of mortar or plaster  
for warranty compliance.**

Bathing Area 65" x 31" x 17½"



**FLORESTONE PRODUCTS CO., INC.**

2851 Falcon Drive • Madera, CA 93637

T. 559.661.4171 • T. 800.446.8827

F. 559.661.2070 • florestone.com

**Standards**

I.A.P.M.O. Listed File 1595

ANSI-Z-124.1

ASTM-84 Test Method

