

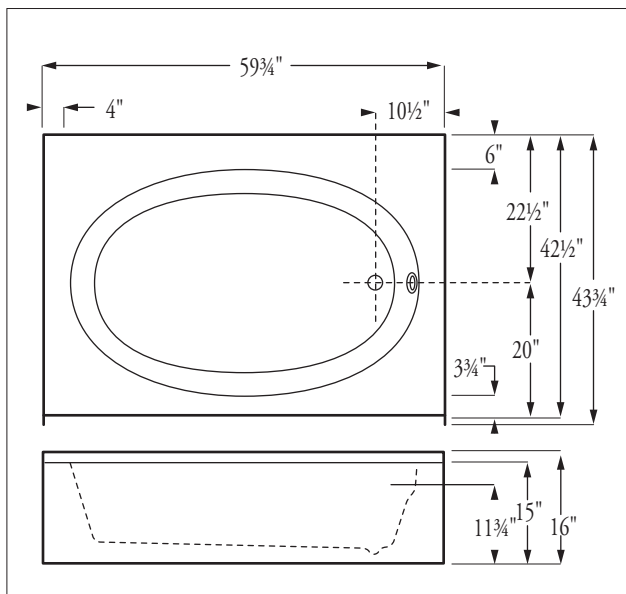


Florestone 6044 Merida Fiberglass Custom Bath

59¾" X 43¼" X 16"
Weight: 100 lbs.
Capacity 35 gallons

Architect's Specifications

Furnish and install bath unit Model 6044 as manufactured by Florestone Products Co. Unit to be manufactured of gel-coated fiberglass meeting Class C Flame Retardance. Unit to be supplied with laminated floor for extra rigidity.



**Dimensions may vary \pm ¼" inch.
Please check unit before installation.**

**Place bath in a bed of mortar or plaster
for warranty compliance.**

Bathing Area 51" x 32" x 11¾"

Fiberglass Colors

Standard color: White

For availability of special order colors,
see Colors and Options.

Standards

I.A.P.M.O. Listed File 1595
ANSI-Z-124.1
ASTM-84 Test Method



 **FLORESTONE**
A Spec Above.™

FLORESTONE PRODUCTS CO., INC.

2851 Falcon Drive • Madera, CA 93637
T. 559.661.4171 • T. 800.446.8827
F. 559.661.2070 • florestone.com