

Floestone Model 6012-3W Fiberglass Custom Bath

60" x 31" x 15"
Weight: 105 lbs.
Capacity: 40 gallons

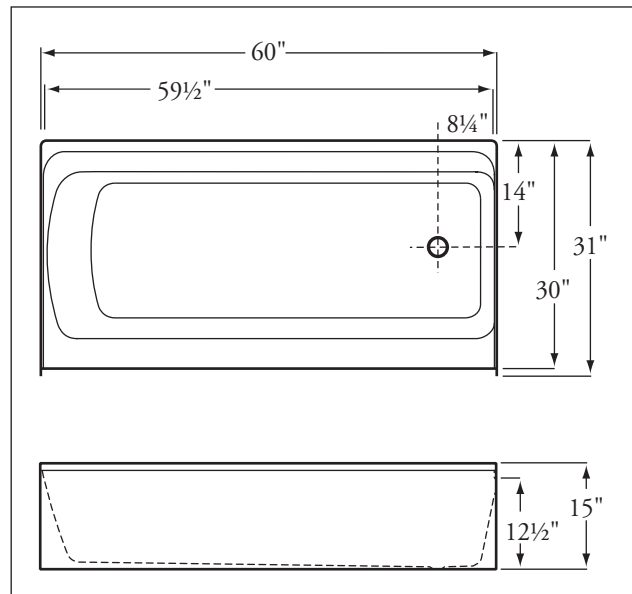
Architect's Specifications

Furnish and install bath unit Model 6012-3W as manufactured by Floestone Products Co. Unit to be manufactured of gel-coated fiberglass meeting Class C Flame Retardance. Unit to be supplied with laminated floor for extra rigidity.

Standard color: White.

Optional Colors

Colors matching most major manufacturers' colors are available.



**Dimensions may vary \pm 1/4" inch.
Please check unit before installation.**

**Place bath in a bed of mortar or plaster
for warranty compliance.**

Bathing Area 51" x 19" x 14 3/4"



FLOESTONE PRODUCTS CO., INC.

2851 Falcon Drive • Madera, CA 93637
T. 559.661.4171 • T. 800.446.8827
F. 559.661.2070 • floestone.com

Standards

I.A.P.M.O. Listed File 1595
ANSI-Z-124.1
ASTM-84 Test Method

