

**Florestone
Model 6086
Full Apron
Fiberglass Custom Bath**

59 $\frac{3}{4}$ " x 42 $\frac{1}{2}$ " x 20 $\frac{3}{4}$ "

Weight: 97 lbs.

Capacity: 60 gallons

**Architect's
Specifications**

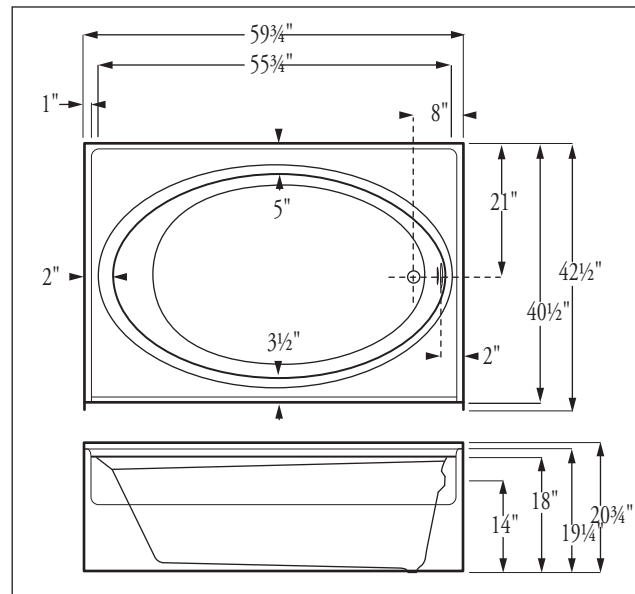
Furnish and install bath unit Model 6086 as manufactured by Florestone Products Co. Unit to be manufactured of gel-coated fiberglass meeting Class C Flame Retardance. Unit to be supplied with laminated floor for extra rigidity.

Specify RH or LH drain.

Standard color: White.

Optional Colors

Colors matching most major manufacturers' colors are available.



**Dimensions may vary \pm 1/4" inch.
Please check unit before installation.**

**Place bath in a bed of mortar or plaster
for warranty compliance.**

Bathing Area 52" x 32 $\frac{1}{2}$ " x 14"



FLORESTONE PRODUCTS CO., INC.

2851 Falcon Drive • Madera, CA 93637

T. 559.661.4171 • T. 800.446.8827

F. 559.661.2070 • florestone.com

Standards

I.A.P.M.O. Listed File 1595

ANSI-Z-124.1

ASTM-84 Test Method

