

**Florestone
Model WMD
Utility Sink**

45⁵/₈" x 21⁵/₈" x 13¹/₂"

WMD (1/Box):
Capacity

Weight:
62 lbs.
38 gallons

**Architect's
Specifications**

Furnish and install Utility Sink Model WMD as manufactured by Florestone Products Co. Unit to have two sinks, and come with wall mounting bracket and hardware, and drain plugs with hardware.

Color will be white and will be resistant to fading and abrasion.

Unit to have 1¹/₂" drain opening.

Optional and Accessories

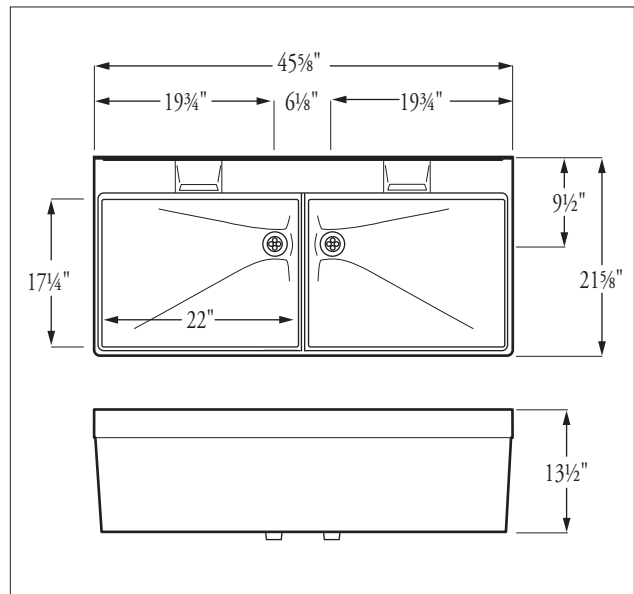
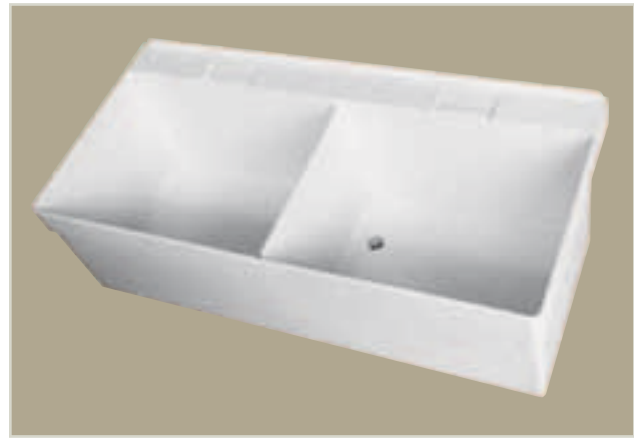
WMD Accessory Kit

Standards

I.A.P.M.O. Listed File 2647
ANSI-Z-124.6-97



CSA Test • Warnock Hersey Listed:
CAN/CSA-B45.0 - CAN/CSA-B45.5



Inside Tray Dimensions: 17¹/₄" x 22"



FLORESTONE PRODUCTS CO., INC.

2851 Falcon Drive • Madera, CA 93637

T. 559.661.4171 • T. 800.446.8827

F. 559.661.2070 • florestone.com