



**Florestone  
Model WM  
Utility Sink**

22 $\frac{3}{8}$ " x 22 $\frac{3}{8}$ " x 14 $\frac{1}{4}$ "

WM-1 (1/Box):  
WM-3 (3/Box):  
Capacity

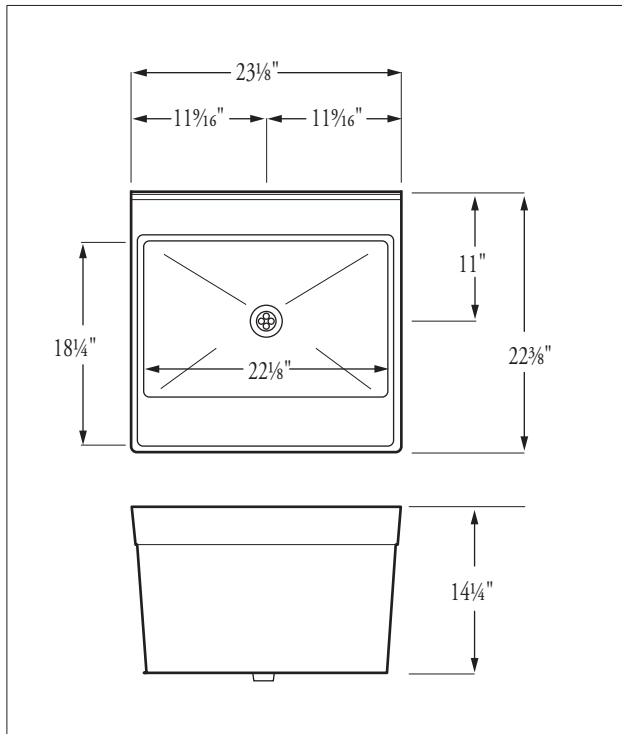
Weight:  
30 lbs.  
85 lbs.  
20 gallons

**Architect's  
Specifications**

Furnish and install Utility Sink Model WM as manufactured by Florestone Products Co. Wall mounted unit to include wall mounting bracket and hardware, and drain plugs with hardware.

Color will be white and will be resistant to fading and abrasion.

Unit to have 1 $\frac{1}{2}$ " drain opening.



Inside Tray Dimensions: 17 $\frac{1}{4}$ " x 22 $\frac{3}{8}$ "

**Optional and Accessories**

WM Accessory Kit

**Standards**

I.A.P.M.O. Listed File 2647  
ANSI-Z-124.6-97

CSA Test • Warnock Hersey Listed:  
CAN/CSA-B45.0 - CAN/CSA-B45.5



**FLORESTONE PRODUCTS CO., INC.**

2851 Falcon Drive • Madera, CA 93637

T. 559.661.4171 • T. 800.446.8827

F. 559.661.2070 • florestone.com