

**Florestone
Model SR 17
Utility Sink**

17" x 20" x 10³/₄"

SR-17-1 (1/Box):

SR-17-3 (3/Box):

Weight:

8 lbs.

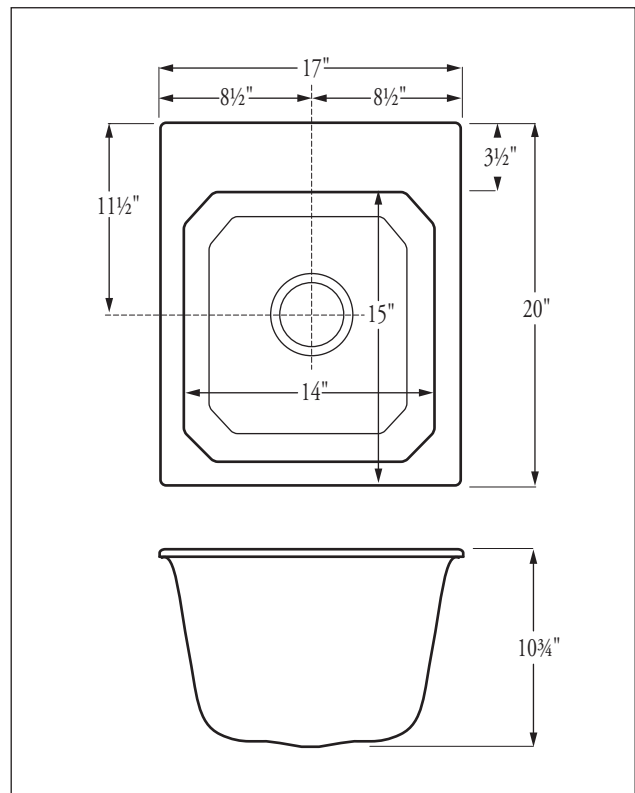
27 lbs.

**Architect's
Specifications**

Furnish and install Utility Sink Model SR 17 as manufactured by Florestone Products Co. Unit will be self-rimming.

Color will be white and will be resistant to fading and abrasion.

Unit to have 3¹/₂" drain opening.



Bathing Area 52" x 32¹/₂" x 14"

Standards

I.A.P.M.O. Listed File 2647

ANSI-Z-124.6-97

CSA Test • Warnock Hersey Listed:

CAN/CSA-B45.0 - CAN/CSA-B45.5



FLORESTONE PRODUCTS CO., INC.

2851 Falcon Drive • Madera, CA 93637

T. 559.661.4171 • T. 800.446.8827

F. 559.661.2070 • florestone.com