

**Florestone  
Model SR Self-Rimming  
Utility Sink**

25" x 22" x 14"

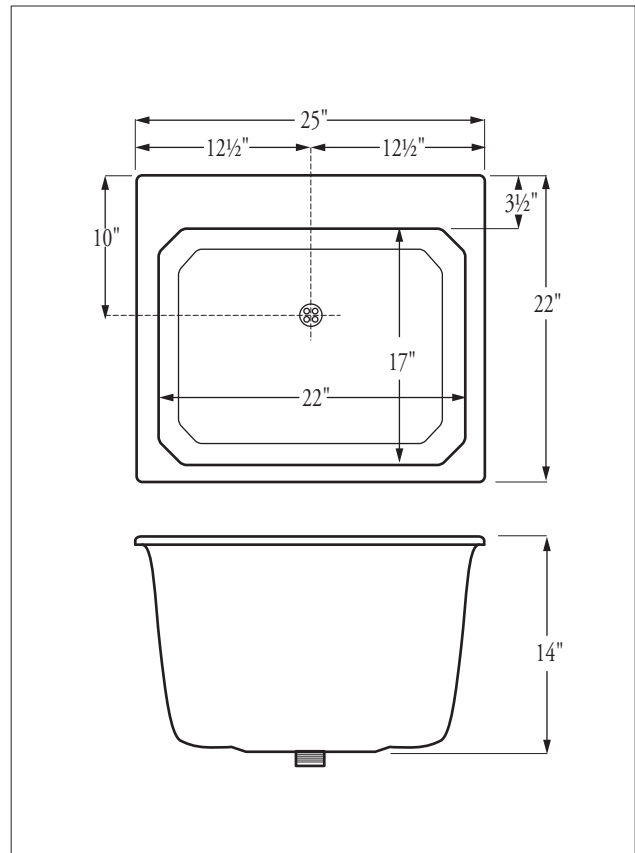
	Weight:
SR-1 (1/Box):	14 lbs.
SR-3 (3/Box):	38 lbs.
Capacity	38 gallons

**Architect's  
Specifications**

Furnish and install Utility Sink Model SR as manufactured by Florestone Products Co. Unit to be self-rimming.

Color will be white and will be resistant to fading and abrasion.

Unit to have 1½" drain opening.



Inside Tray Dimensions: 17" x 22"

**Standards**

I.A.P.M.O. Listed File 2647  
ANSI-Z-124.6-97



CSA Test • Warnock Hersey Listed:  
CAN/CSA-B45.0 - CAN/CSA-B45.5



**FLORESTONE PRODUCTS CO., INC.**

2851 Falcon Drive • Madera, CA 93637

T. 559.661.4171 • T. 800.446.8827

F. 559.661.2070 • florestone.com