



**Florestone  
Model FM  
Utility Sink**

23<sup>3</sup>/<sub>8</sub>" x 22<sup>3</sup>/<sub>8</sub>" x 35<sup>1</sup>/<sub>2</sub>"

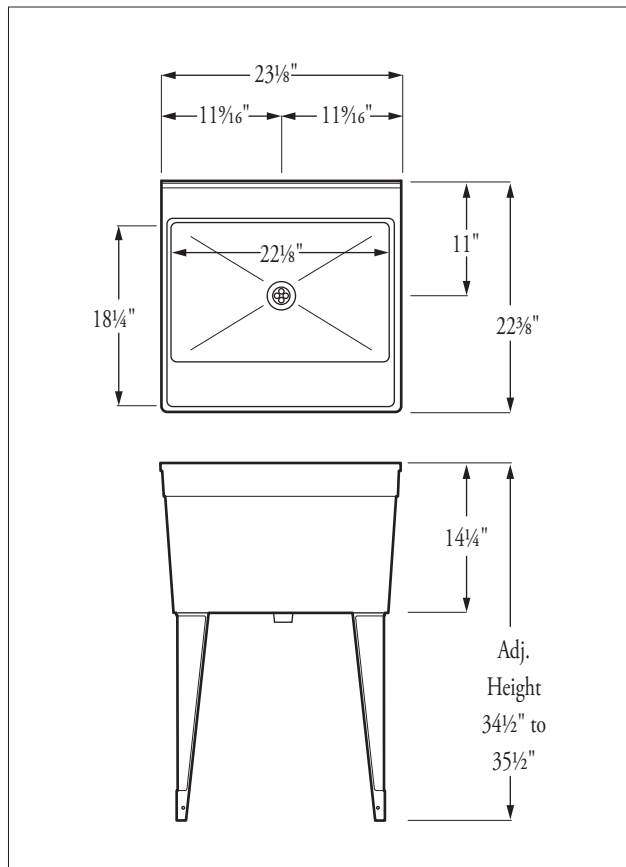
	Weight:
FM-1 (1/Box):	30 lbs.
FM-3 (3/Box):	85 lbs.
Capacity	20 gallons

**Architect's  
Specifications**

Furnish and install Utility Sink Model FM as manufactured by Florestone Products Co. Floor mounted sink to come with four (4) heavy duty molded legs and the hardware to attach legs to the sink, and drain plugs with hardware.

Color will be white and will be resistant to fading and abrasion.

Unit to have 1<sup>1</sup>/<sub>2</sub>" drain opening.



Inside Tray Dimensions: 18<sup>1</sup>/<sub>4</sub>" x 22<sup>1</sup>/<sub>8</sub>"

**Optional and Accessories**

FM Accessory Kit

Set of Legs (4) – Heavy duty molded legs

**Standards**

I.A.P.M.O. Listed File 2647  
ANSI-Z-124.6-97

CSA Test • Warnock Hersey Listed:  
CAN/CSA-B45.0 – CAN/CSA-B45.5



**FLORESTONE PRODUCTS CO., INC.**

2851 Falcon Drive • Madera, CA 93637

T. 559.661.4171 • T. 800.446.8827

F. 559.661.2070 • florestone.com