



**Florestone
Model 6036TS-3W
Tub / Shower**

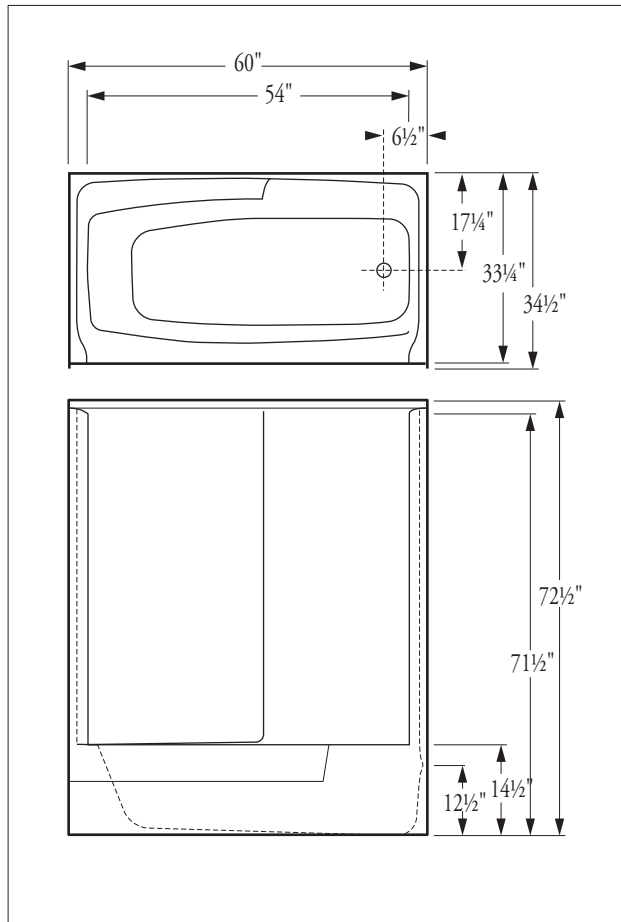
60" x 34½" x 72½"
Weight: 135 lbs.

**Architect's
Specifications**

Furnish and install one piece tub/shower unit Model 6036TS-3W as manufactured by Florestone Products Company. Unit to be manufactured of gel-coated fiberglass meeting Class C Flame Retardance and to be supplied with slip-resistant floor laminated for extra rigidity. Color will be white (unless otherwise specified).

Specify RH or LH drain.

Standard Color: White.



Bathing Area 54 x 24½ x 12½

**Dimensions may vary ± ¼" inch.
Please check unit before installation.**

Optional Colors

Colors matching most major manufacturers' colors are available.

Standards

I.A.R.M.O. Listed
File 0687
ANSI-Z-124.2



FLORESTONE PRODUCTS CO., INC.

2851 Falcon Drive • Madera, CA 93637

T. 559.661.4171 • T. 800.446.8827

F. 559.661.2070 • florestone.com