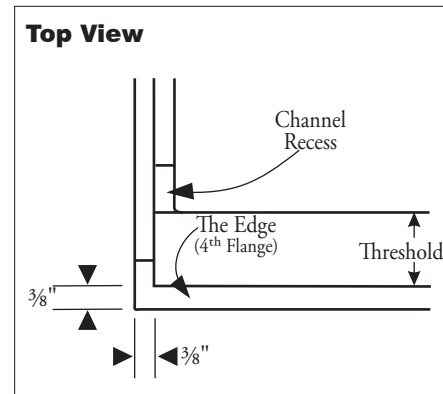
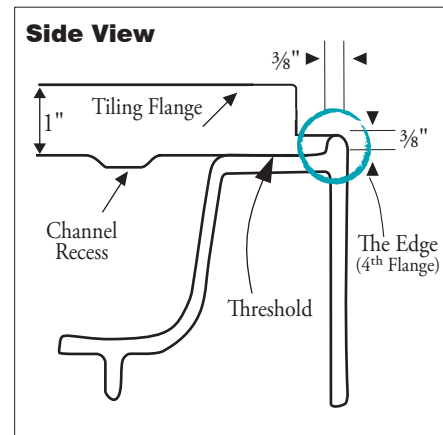
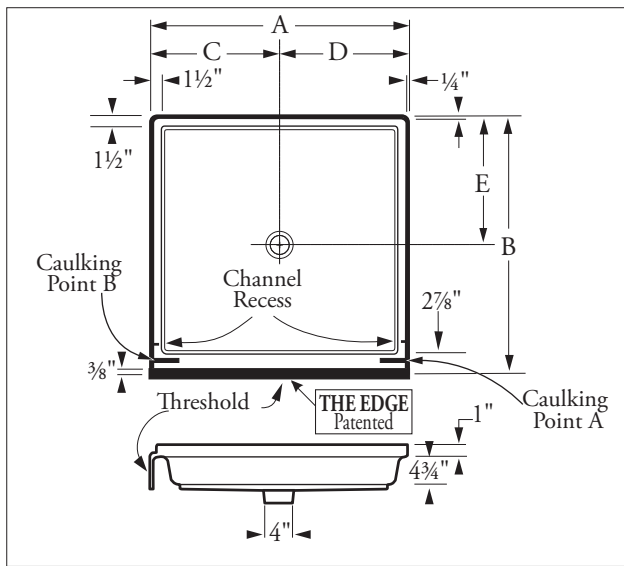




One Piece, single threshold model for recessed installation. Features 1" flange on three remaining sides. Note: The Edge is a 4th Flange. Integral drain with Wedge-Lok[®] Seal.



**Florestone
Recess Shower Receptors
with THE EDGE
Patent No. US D540, 926 S**



Edge Dimension: 3/8" w x 3/8" h

Model	A	B	C	D	E	WT.
3636-1	36"	36"	18"	18"	18"	44
3642-1	36"	42"	18"	18"	21"	53
4234-1	42"	34"	21"	21"	17"	54
4242-1	42"	42"	21"	21"	21"	58
4832-1	48"	32"	24"	24"	16"	54
4834-1	48"	34"	24"	24"	17"	56
6034-1	60"	34"	30"	30"	17"	66

**Dimensions subject to change without notice.
Contact Florestone Products to verify product specifications.**

Standards:

I.A.P.M.O. International Association of Plumbing and Mechanical Officials
File No. 0687.
ANSI American National Standards Institute - Specifications Z-124.2.



FLORESTONE PRODUCTS CO., INC.

2851 Falcon Drive • Madera, CA 93637

T. 559.661.4171 • T. 800.446.8827

F. 559.661.2070 • florestone.com

Molded Recess Shower Receptors with THE EDGE