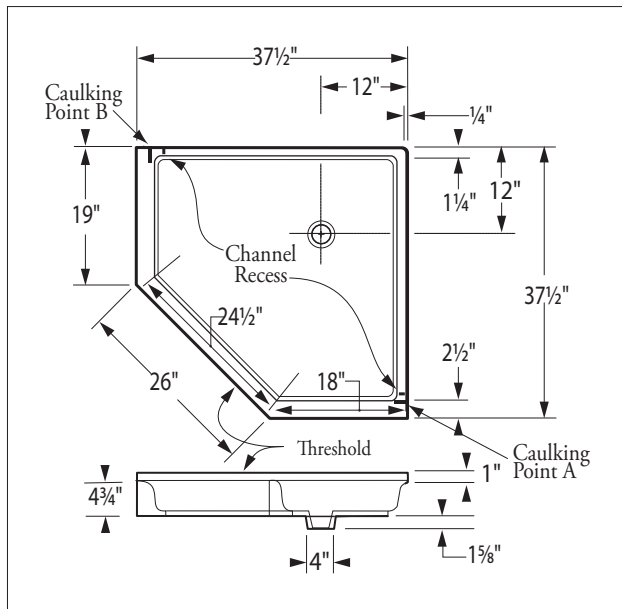




### Neo Angle Model

One piece, molded base with center door opening for corner installation. 1" flange on two sides. Integral drain with Wedge-Lok® Seal.



Model	Weight
37 1/2 NEO	60

**Dimensions subject to change without notice.**

**Contact Florestone Products to verify product specifications.**

#### Standards:

I.A.P.M.O. International Association of Plumbing and Mechanical Officials  
File No. 0687.  
ANSI American National Standards Institute - Specifications Z-124.2.



## Florestone Saflor® Molded NEO-Angle Corner Base Model 37 1/2 NEO

### Architect's Specifications

Furnish and install Saflor® Model 37 1/2" Neo Shower Base manufactured by Florestone. The base shall be furnished with slip-resistant design that does not interfere with the flow of water nor trap it. Base to have integral molded drain. Base to have not less than 1" flange on two sides. Base to be stain, and fungus resistant. Color to be off-white (unless other specified) and will be resistant to fading and abrasion. Model shall conform to ANSI-Z-124.2.

### SAFLOR® Options and Accessories

- Biscuit, Bone
- Josam Jiffy-Joint™
- Wedge-Lok® Seal
- Strainer, Brass
- Strainer, Chrome
- Strainer, Plastic
- Repair Kit



### FLORESTONE PRODUCTS CO., INC.

2851 Falcon Drive • Madera, CA 93637

T. 559.661.4171 • T. 800.446.8827

F. 559.661.2070 • florestone.com