



Florestone Model 2PC-30-3W Fiberglass Shower

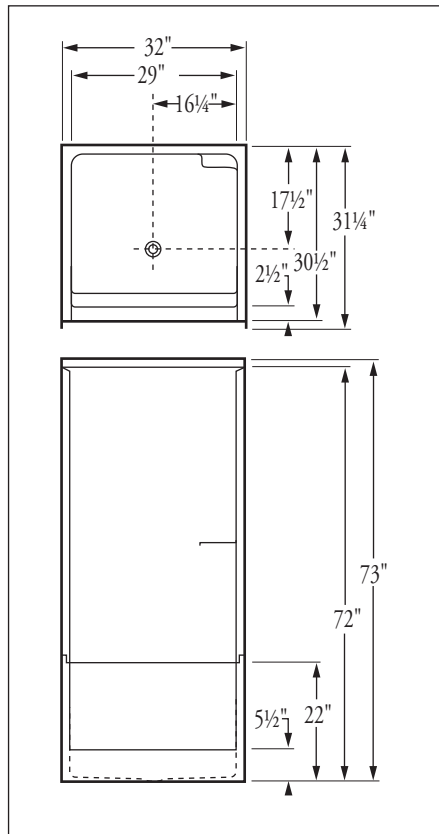
32" x 31¼" x 73"

Weight: 87 lbs.

Architect's Specifications

Furnish and install two piece shower unit Model 2PC-30-3W as manufactured by Florestone Products Co. Unit to be manufactured of gel-coated fiberglass meeting Class C Flame Retardance. Unit to be supplied with slip-resistant floor laminated for extra rigidity. Color will be white (unless otherwise specified). Unit to be supplied with 2" PNC non-caulk drain.

Standard Color: White.



Note:

Does not meet I.A.P.M.O. minimum size requirements. Check local codes.

Optional Colors

Colors matching most major manufacturers' colors are available.

Standards

ANSI-Z-124.2



 **FLORESTONE**
A Spec Above.™

FLORESTONE PRODUCTS CO., INC.

2851 Falcon Drive • Madera, CA 93637

T. 559.661.4171 • T. 800.446.8827

F. 559.661.2070 • florestone.com

Dimensions may vary ± ¼" inch.

Please check unit before installation.

Florestone Model 2PC-32-3W Fiberglass Shower

31½" x 35" x 73"

Weight: 93 lbs.

Architect's Specifications

Furnish and install two piece shower unit Model 2PC-32-3W as manufactured by Florestone Products Co. Unit to be manufactured of gel-coated fiberglass meeting Class C Flame Retardance. Unit to be supplied with slip-resistant floor laminated for extra rigidity. Color will be white (unless otherwise specified). Unit to be supplied with 2" PNC non-caulk drain.

Standard Color: White.



Optional Colors

Colors matching most major manufacturers' colors are available.

Standards:

ANSI-Z-124.2



 **FLORESTONE**
A Spec Above.™

FLORESTONE PRODUCTS CO., INC.

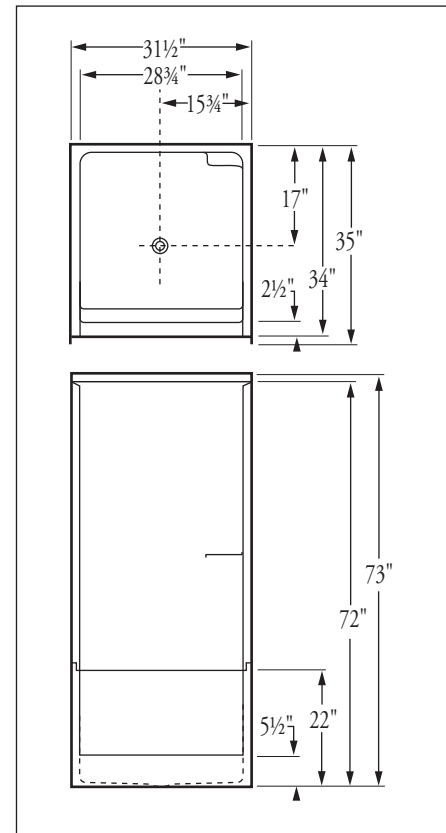
2851 Falcon Drive • Madera, CA 93637

T. 559.661.4171 • T. 800.446.8827

F. 559.661.2070 • florestone.com

Note:

Does not meet I.A.P.M.O. minimum size requirements. Check local codes.



**Dimensions may vary ± ¼" inch.
Please check unit before installation.**



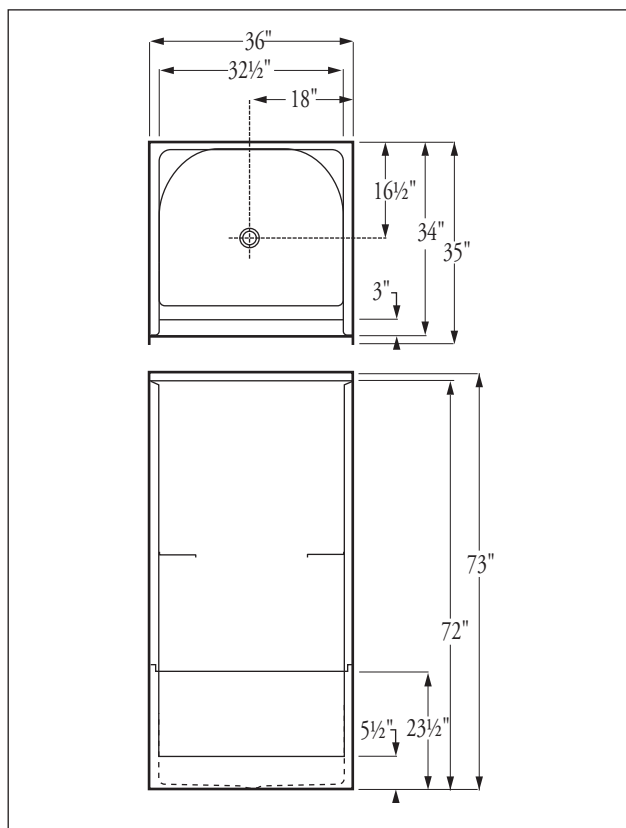
Florestone Model 2PC-36-3W Fiberglass Shower

36" x 35" x 73"
Weight: 101 lbs.

Architect's Specifications

Furnish and install two piece shower unit Model 2PC-36-3W as manufactured by Florestone Products Co. Unit to be manufactured of gel-coated fiberglass meeting Class C Flame Retardance. Unit to be supplied with slip-resistant floor laminated for extra rigidity. Color will be white (unless otherwise specified). Unit to be supplied with 2" PNC non-caulk drain.

Standard Color: White.



**Dimensions may vary ± ¼" inch.
Please check unit before installation.**

Optional Colors

Colors matching most major manufacturers' colors are available.

Standards

I.A.R.M.O. Listed
File 0687
ANSI-Z-124.2



 **FLORESTONE**
A Spec. Above.™

FLORESTONE PRODUCTS CO., INC.

2851 Falcon Drive • Madera, CA 93637

T. 559.661.4171 • T. 800.446.8827

F. 559.661.2070 • florestone.com

**Florestone
Model 2PC-36-3WTB
Fiberglass Shower**

36" x 37½" x 73"
Weight: 107 lbs.

**Architect's
Specifications**

Furnish and install two piece shower unit Model 2PC-36-3WTB as manufactured by Florestone Products Co. Unit to be manufactured of gel-coated fiberglass meeting Class C Flame Retardance. Unit to be supplied with slip-resistant floor laminated for extra rigidity. Color will be white (unless otherwise specified). Unit to be supplied with 2" PNC non-caulk drain.

Standard Color: White.



Optional Colors

Colors matching most major manufacturers' colors are available.

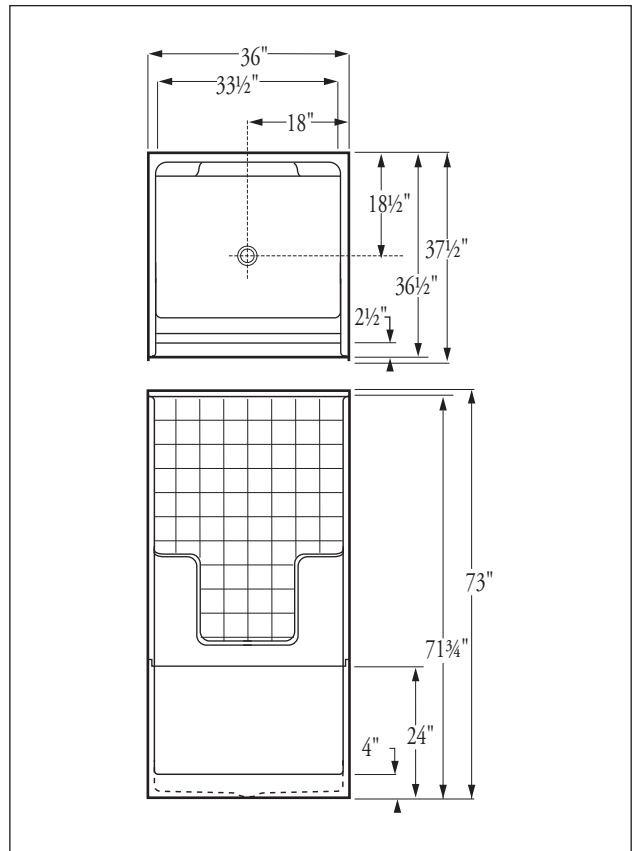
Standards:

I.A.P.M.O. Listed
File 0687
ANSI-Z-124.2



FLORESTONE PRODUCTS CO., INC.

2851 Falcon Drive • Madera, CA 93637
T. 559.661.4171 • T. 800.446.8827
F. 559.661.2070 • florestone.com



**Dimensions may vary ± ¼" inch.
Please check unit before installation.**



Florestone Model 2PC-36-NEO Fiberglass Shower

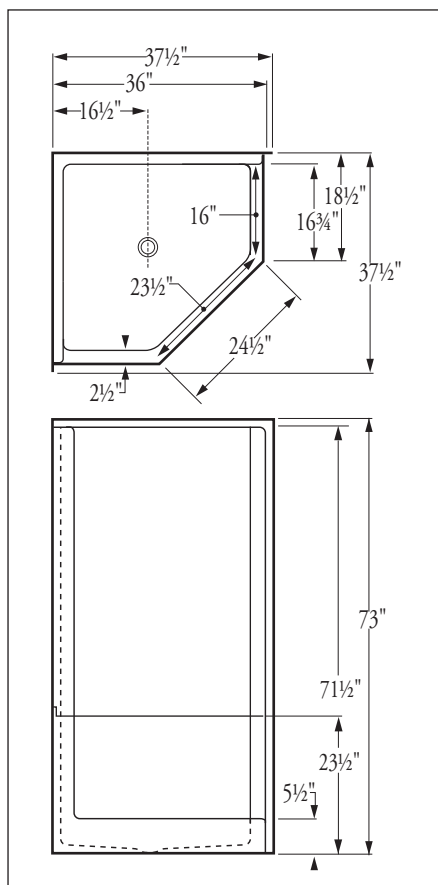
37½" x 37½" x 73"

Weight: 108 lbs.

Architect's Specifications

Furnish and install two piece shower unit Model 2PC-36-NEO as manufactured by Florestone Products Co. Unit to be manufactured of gel-coated fiberglass meeting Class C Flame Retardance. Unit to be supplied with slip-resistant floor laminated for extra rigidity. Color will be white (unless otherwise specified). Unit to be supplied with 2" PNC non-caulk drain.

Standard Color: White.



Note:

Does not meet I.A.P.M.O. minimum size requirements. Check local codes.

Optional Colors

Colors matching most major manufacturers' colors are available.

Standards

ANSI-Z-124.2



FLORESTONE PRODUCTS CO., INC.

2851 Falcon Drive • Madera, CA 93637

T. 559.661.4171 • T. 800.446.8827

F. 559.661.2070 • florestone.com

**Dimensions may vary ± ¼" inch.
Please check unit before installation.**

**Florestone
Model 2PC-38-NEO TB
Fiberglass Shower**

37½" x 37½" x 73"
Weight: 110 lbs.

**Architect's
Specifications**

Furnish and install two piece shower unit Model 2PC-38-NEO TB as manufactured by Florestone Products Co. Unit to be manufactured of gel-coated fiberglass meeting Class C Flame Retardance. Unit to be supplied with slip-resistant floor laminated for extra rigidity. Color will be white (unless otherwise specified). Unit to be supplied with 2" PNC non-caulk drain.

Standard Color: White.



Optional Colors

Colors matching most major manufacturers' colors are available.

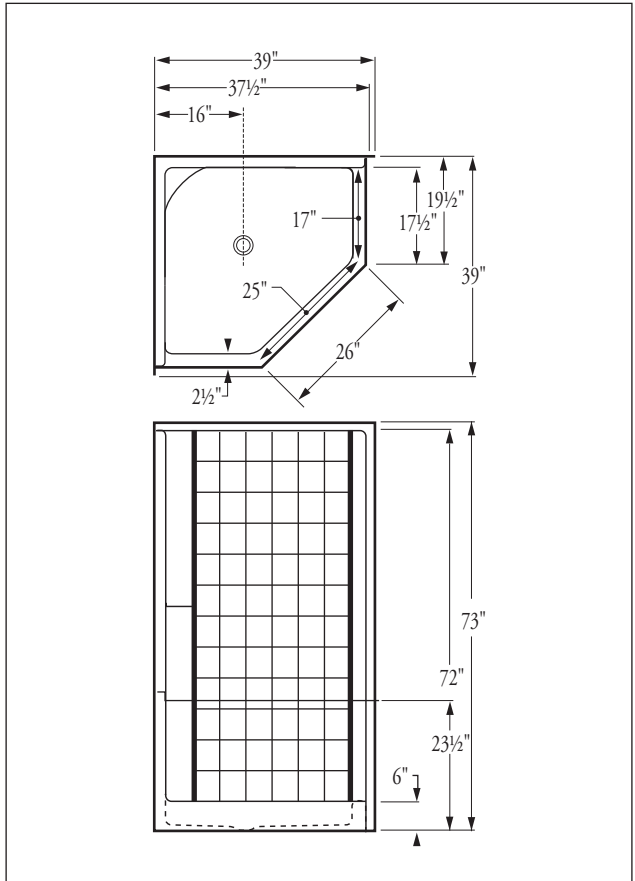
Standards:

I.A.P.M.O. Listed
File 0687
ANSI-Z-124.2



FLORESTONE PRODUCTS CO., INC.

2851 Falcon Drive • Madera, CA 93637
T. 559.661.4171 • T. 800.446.8827
F. 559.661.2070 • florestone.com



**Dimensions may vary ± ¼" inch.
Please check unit before installation.**



Florestone Model 2PC-38-NEO Fiberglass Shower

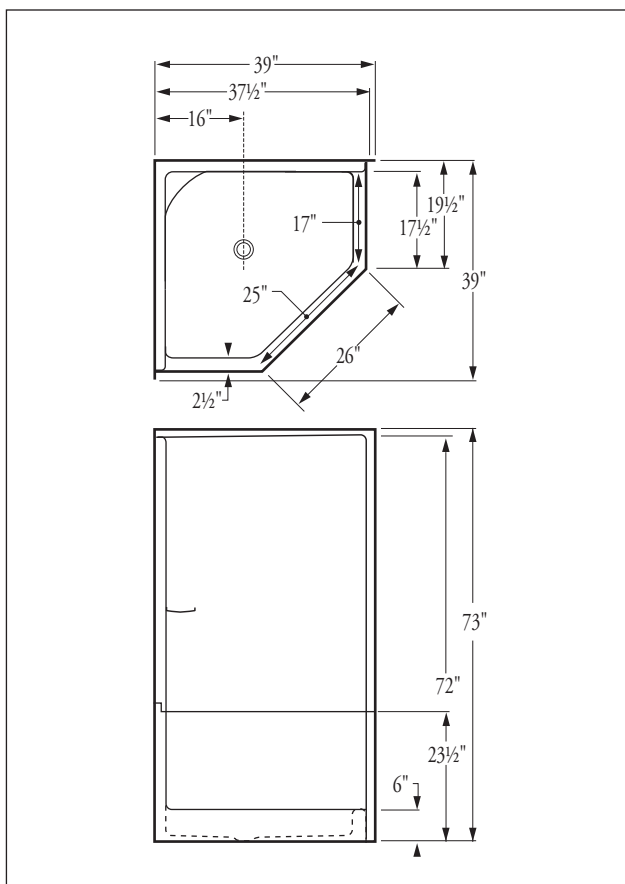
37½" x 37½" x 73"

Weight: 110 lbs.

Architect's Specifications

Furnish and install two piece shower unit Model 2PC-38-NEO as manufactured by Florestone Products Co. Unit to be manufactured of gel-coated fiberglass meeting Class C Flame Retardance. Unit to be supplied with slip-resistant floor laminated for extra rigidity. Color will be white (unless otherwise specified). Unit to be supplied with 2" PNC non-caulk drain.

Standard Color: White.



**Dimensions may vary ± ¼" inch.
Please check unit before installation.**

Optional Colors

Colors matching most major manufacturers' colors are available.

Standards

I.A.R.M.O. Listed

File 0687

ANSI-Z-124.2



FLORESTONE
A Spec. Above.™

FLORESTONE PRODUCTS CO., INC.

2851 Falcon Drive • Madera, CA 93637

T. 559.661.4171 • T. 800.446.8827

F. 559.661.2070 • florestone.com



Florestone Model 2PC-36-NEO Fiberglass Shower

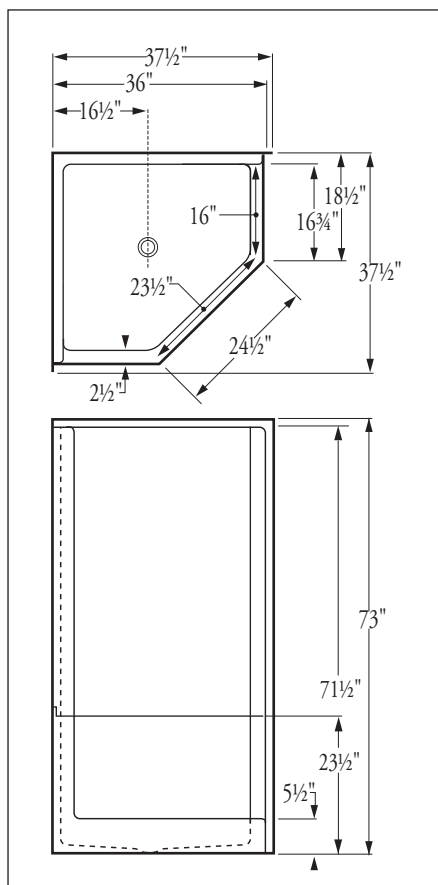
37½" x 37½" x 73"

Weight: 108 lbs.

Architect's Specifications

Furnish and install two piece shower unit Model 2PC-36-NEO as manufactured by Florestone Products Co. Unit to be manufactured of gel-coated fiberglass meeting Class C Flame Retardance. Unit to be supplied with slip-resistant floor laminated for extra rigidity. Color will be white (unless otherwise specified). Unit to be supplied with 2" PNC non-caulk drain.

Standard Color: White.



Note:

Does not meet I.A.P.M.O. minimum size requirements. Check local codes.

**Dimensions may vary ± ¼" inch.
Please check unit before installation.**

Optional Colors

Colors matching most major manufacturers' colors are available.

Standards

ANSI-Z-124.2

 **FLORESTONE**
A Spec Above.™

FLORESTONE PRODUCTS CO., INC.

2851 Falcon Drive • Madera, CA 93637

T. 559.661.4171 • T. 800.446.8827

F. 559.661.2070 • florestone.com

Florestone Model 2PC-42-3W Fiberglass Shower

41 $\frac{3}{4}$ " x 35" x 73"
Weight: 105 lbs.

Architect's Specifications

Furnish and install two piece shower unit Model 2PC-42-3W as manufactured by Florestone Products Co. Unit to be manufactured of gel-coated fiberglass meeting Class C Flame Retardance. Unit to be supplied with slip-resistant floor laminated for extra rigidity. Color will be white (unless otherwise specified). Unit to be supplied with 2" PNC non-caulk drain.

Standard Color: White.



Optional Colors

Colors matching most major manufacturers' colors are available.

Standards:

I.A.P.M.O. Listed
File 0687
ANSI-Z-124.2



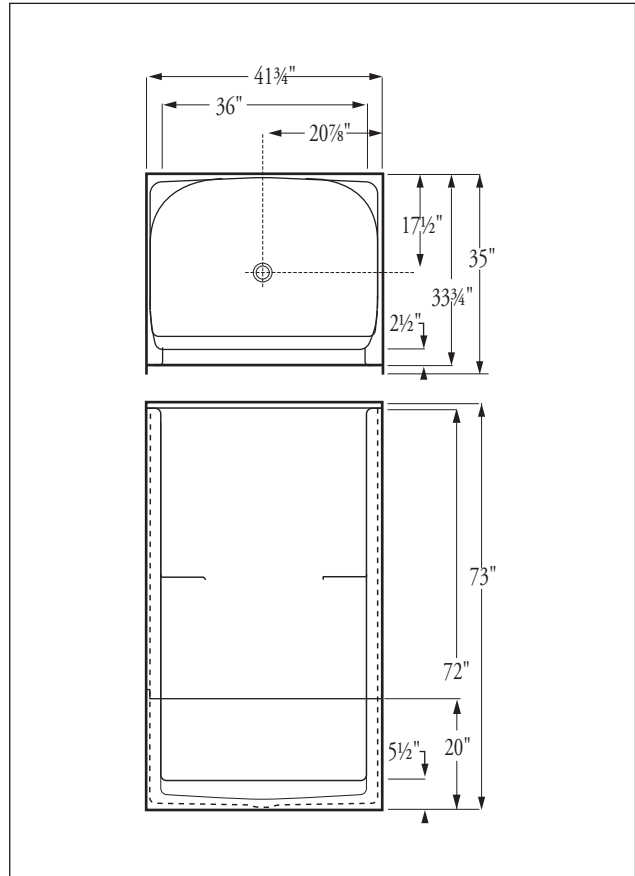
 **FLORESTONE**
A Spec Above.™

FLORESTONE PRODUCTS CO., INC.

2851 Falcon Drive • Madera, CA 93637

T. 559.661.4171 • T. 800.446.8827

F. 559.661.2070 • florestone.com



**Dimensions may vary \pm 1/4" inch.
Please check unit before installation.**



Florestone Model 2PC-48-3W Fiberglass Shower

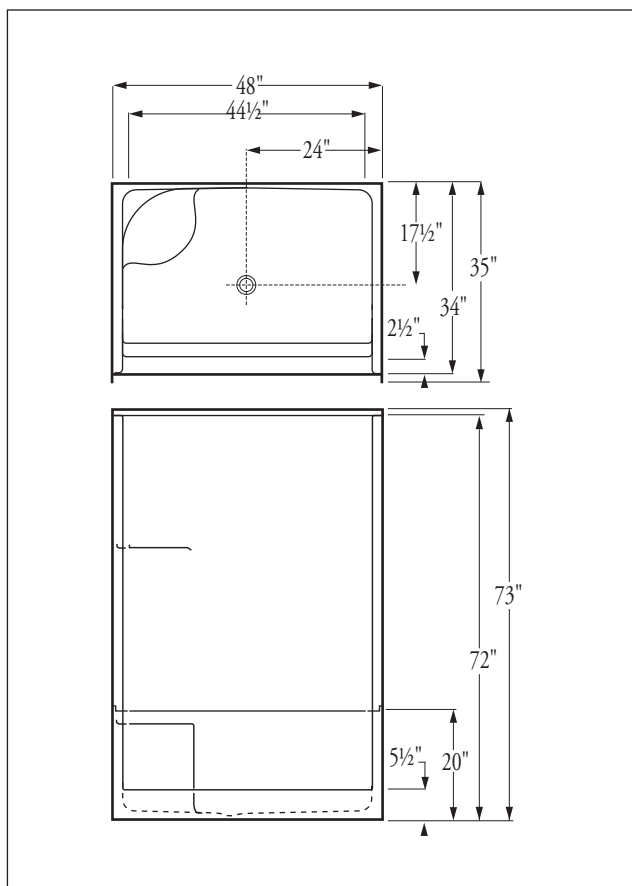
48" x 35" x 73"
Weight: 120 lbs.

Architect's Specifications

Furnish and install two piece shower unit Model 2PC-48-3W as manufactured by Florestone Products Co. Unit to be manufactured of gel-coated fiberglass meeting Class C Flame Retardance. Unit to be supplied with slip-resistant floor laminated for extra rigidity. Color will be white (unless otherwise specified). Unit to be supplied with 2" PNC non-caulk drain. Specify right or left hand seat.

Standard Color: White.

Standard Feature: Molded-In Seat.



**Dimensions may vary ± ¼" inch.
Please check unit before installation.**

Optional Colors

Colors matching most major manufacturers' colors are available.

Standards

I.A.P.M.O. Listed
File 0687
ANSI-Z-124.2



 **FLORESTONE**
A Spec. Above.™

FLORESTONE PRODUCTS CO., INC.

2851 Falcon Drive • Madera, CA 93637

T. 559.661.4171 • T. 800.446.8827

F. 559.661.2070 • florestone.com

Florestone Model 2PC-48-3WTB Fiberglass Shower

48 $\frac{1}{4}$ " x 38" x 73"

Weight: 132 lbs.

Architect's Specifications

Furnish and install two piece shower unit Model 2PC-48-3WTB as manufactured by Florestone Products Co. Unit to be manufactured of gel-coated fiberglass meeting Class C Flame Retardance. Unit to be supplied with slip-resistant floor laminated for extra rigidity. Color will be white (unless otherwise specified). Unit to be supplied with 2" PNC non-caulk drain.

Standard Color: White.

Standard Features: Acrylic Towel Bar
Two Molded-In Seats



Optional Colors

Colors matching most major manufacturers' colors are available.

Standards:

I.A.P.M.O. Listed

File 0687

ANSI-Z-124.2



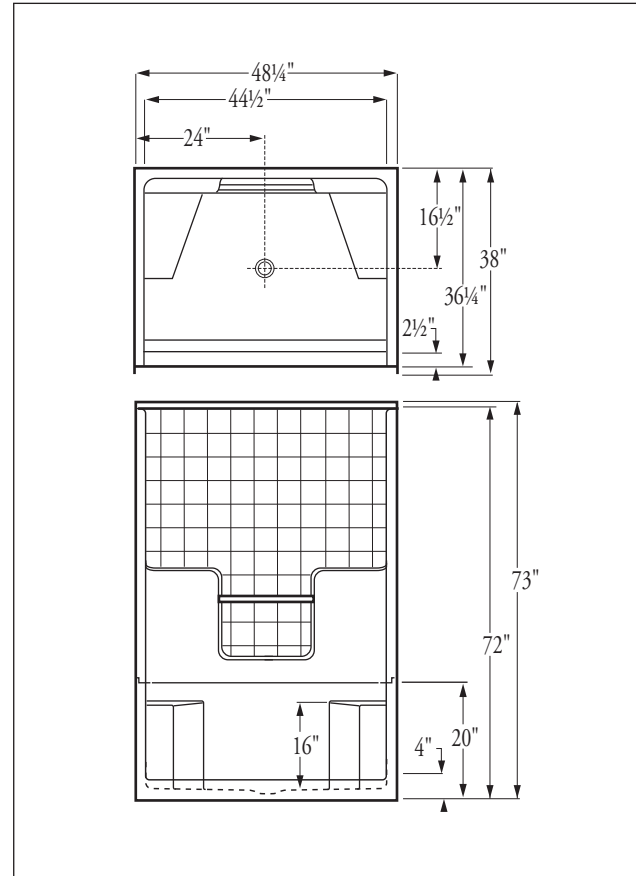
 **FLORESTONE**
A Spec Above.™

FLORESTONE PRODUCTS CO., INC.

2851 Falcon Drive • Madera, CA 93637

T. 559.661.4171 • T. 800.446.8827

F. 559.661.2070 • florestone.com



**Dimensions may vary \pm $\frac{1}{4}$ " inch.
Please check unit before installation.**



Florestone Model 3PC-60-3W Fiberglass Shower

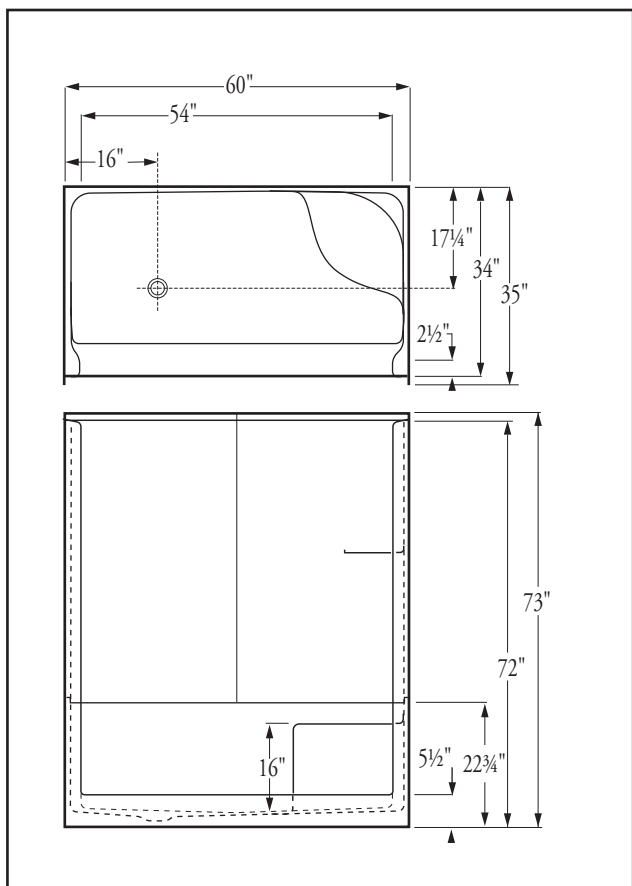
60" x 35" x 73"
Weight: 135 lbs.

Architect's Specifications

Furnish and install two piece shower unit Model 3PC-60-3W as manufactured by Florestone Products Co. Unit to be manufactured of gel-coated fiberglass meeting Class C Flame Retardance. Unit to be supplied with slip-resistant floor laminated for extra rigidity. Color will be white (unless otherwise specified). Unit to be supplied with 2" PNC non-caulk drain. Specify right hand or left hand seat.

Standard Color: White.

Standard Feature: Molded-In Seat.



**Dimensions may vary \pm 1/4" inch.
Please check unit before installation.**

Optional Colors

Colors matching most major manufacturers' colors are available.

Standards

I.A.R.M.O. Listed
File 0687
ANSI-Z-124.2



 **FLORESTONE**
A Spec Above.™

FLORESTONE PRODUCTS CO., INC.

2851 Falcon Drive • Madera, CA 93637

T. 559.661.4171 • T. 800.446.8827

F. 559.661.2070 • florestone.com

**Florestone
Model 2PC-60-3WTB
Fiberglass Shower**

60" x 35" x 72½"
Weight: 150 lbs.

**Architect's
Specifications**

Furnish and install two piece shower unit Model 2PC-60-3WTB as manufactured by Florestone Products Co. Unit to be manufactured of gel-coated fiberglass meeting Class C Flame Retardance. Unit to be supplied with slip-resistant floor laminated for extra rigidity. Color will be white (unless otherwise specified). Unit to be supplied with 2" PNC non-caulk drain.

Standard Color: White.

Standard Features: Acrylic Towel Bar
Two Molded-In Seats



Optional Colors

Colors matching most major manufacturers' colors are available.

Standards:

I.A.P.M.O. Listed
File 0687
ANSI-Z-124.2

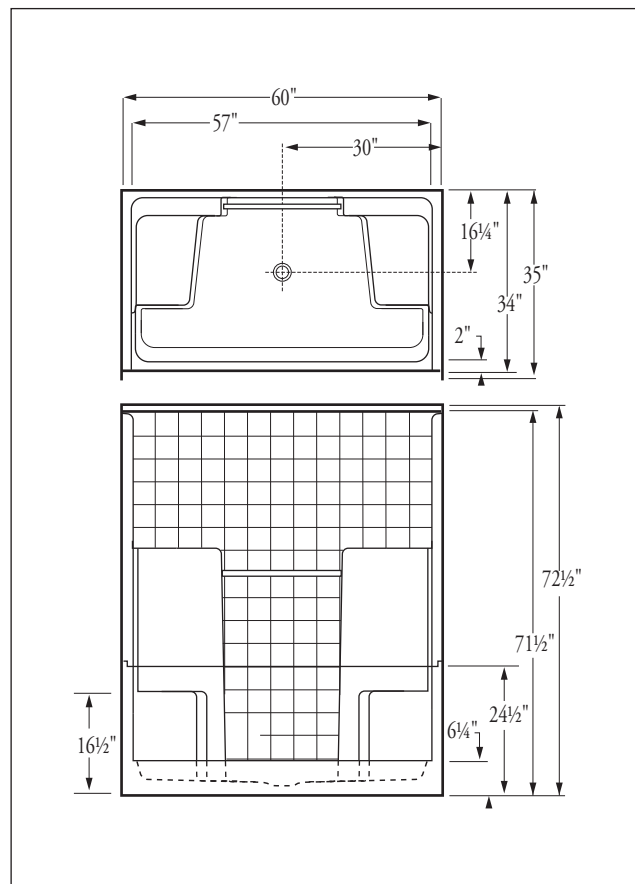


FLORESTONE PRODUCTS CO., INC.

2851 Falcon Drive • Madera, CA 93637

T. 559.661.4171 • T. 800.446.8827

F. 559.661.2070 • florestone.com



**Dimensions may vary ± ¼" inch.
Please check unit before installation.**



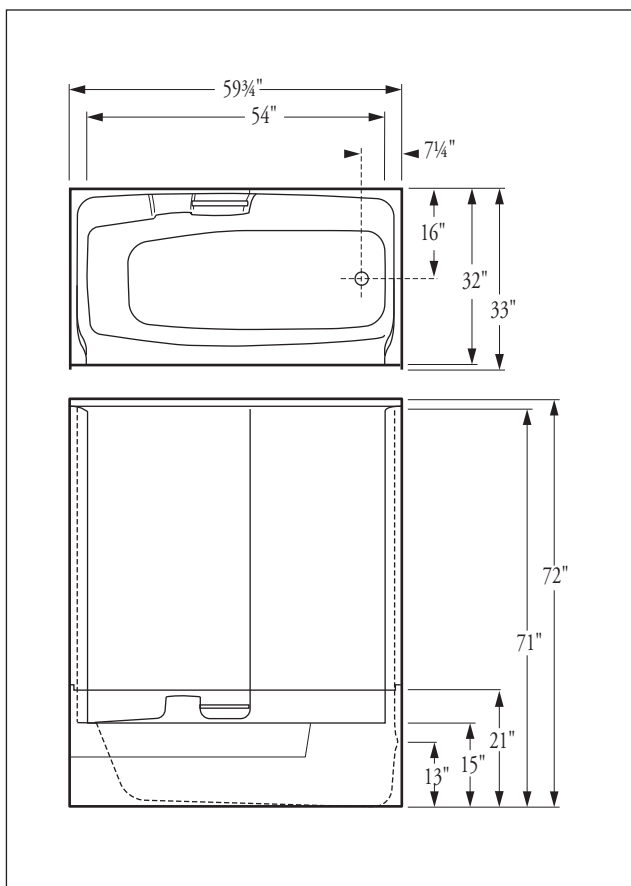
**Florestone
Model 2PC-6034TS-3W
Fiberglass Tub / Shower**

59¾" x 33" x 72"
Weight: 135 lbs.

**Architect's
Specifications**

Furnish and install two piece tub/shower unit Model 2PC-6034TS-3W as manufactured by Florestone Products Co. Unit to be manufactured of gel-coated fiberglass meeting Class C Flame Retardance. Unit to be supplied with slip-resistant floor laminated for extra rigidity. Color will be white (unless otherwise specified). Specify right hand or left hand drain.

Standard Color: White.
Standard Feature: Acrylic Towel Bar.



**Dimensions may vary ± ¼" inch.
Please check unit before installation.**

Optional Colors

Colors matching most major manufacturers' colors are available.

Standards

I.A.R.M.O. Listed
File 0687
ANSI-Z-124.2



FLORESTONE PRODUCTS CO., INC.

2851 Falcon Drive • Madera, CA 93637
T. 559.661.4171 • T. 800.446.8827
F. 559.661.2070 • florestone.com



Florestone Model 2PC-6032TS-3WTB Fiberglass Tub / Shower

59 $\frac{3}{4}$ " x 31" x 73"

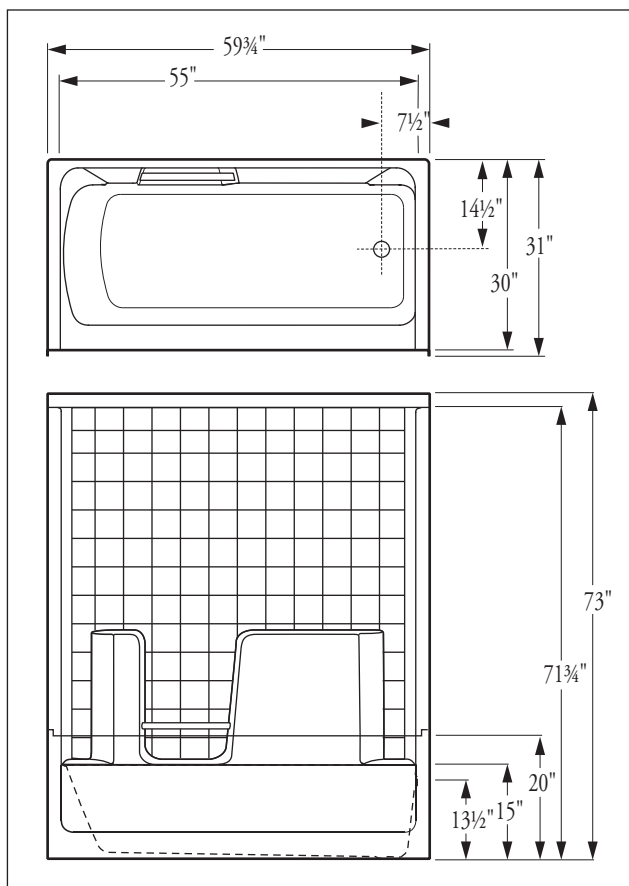
Weight: 135 lbs.

Architect's Specifications

Furnish and install two piece tub/shower unit Model 2PC-6032TS-3WTB as manufactured by Florestone Products Co. Unit to be manufactured of gel-coated fiberglass meeting Class C Flame Retardance. Unit to be supplied with slip-resistant floor laminated for extra rigidity. Color will be white (unless otherwise specified). Specify right hand or left hand drain.

Standard Color: White.

Standard Feature: Acrylic Towel Bar.



**Dimensions may vary \pm 1/4" inch.
Please check unit before installation.**

Optional Colors

Colors matching most major manufacturers' colors are available.

Standards

I.A.R.M.O. Listed
File 0687
ANSI-Z-124.2



 **FLORESTONE**
A Spec Above.™

FLORESTONE PRODUCTS CO., INC.

2851 Falcon Drive • Madera, CA 93637

T. 559.661.4171 • T. 800.446.8827

F. 559.661.2070 • florestone.com