



Florestone Model 2PC-48-3W Fiberglass Shower

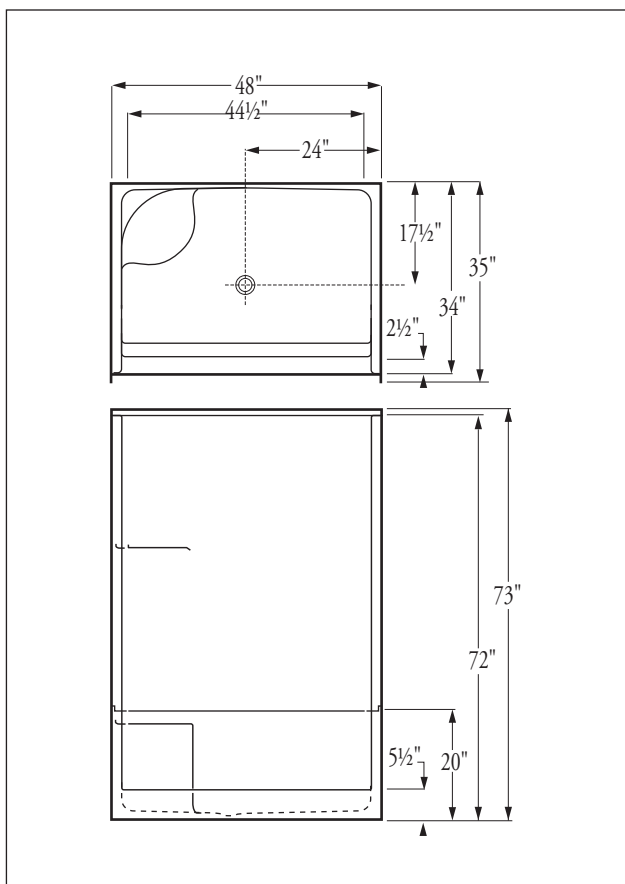
48" x 35" x 73"
Weight: 120 lbs.

Architect's Specifications

Furnish and install two piece shower unit Model 2PC-48-3W as manufactured by Florestone Products Co. Unit to be manufactured of gel-coated fiberglass meeting Class C Flame Retardance. Unit to be supplied with slip-resistant floor laminated for extra rigidity. Color will be white (unless otherwise specified). Unit to be supplied with 2" PNC non-caulk drain. Specify right or left hand seat.

Standard Color: White.

Standard Feature: Molded-In Seat.



**Dimensions may vary ± ¼" inch.
Please check unit before installation.**

Optional Colors

Colors matching most major manufacturers' colors are available.

Standards

I.A.R.M.O. Listed
File 0687
ANSI-Z-124.2



 **FLORESTONE**
A Spec. Above.™

FLORESTONE PRODUCTS CO., INC.

2851 Falcon Drive • Madera, CA 93637

T. 559.661.4171 • T. 800.446.8827

F. 559.661.2070 • florestone.com