



## Florestone Model 2PC-30-3W Fiberglass Shower

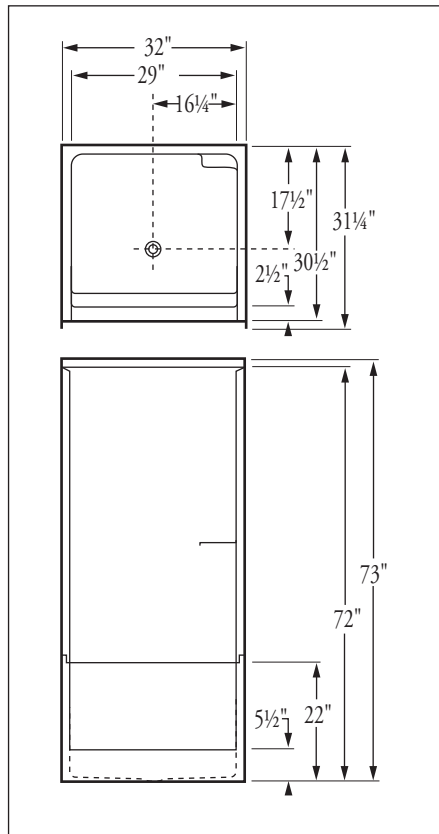
32" x 31¼" x 73"

Weight: 87 lbs.

### Architect's Specifications

Furnish and install two piece shower unit Model 2PC-30-3W as manufactured by Florestone Products Co. Unit to be manufactured of gel-coated fiberglass meeting Class C Flame Retardance. Unit to be supplied with slip-resistant floor laminated for extra rigidity. Color will be white (unless otherwise specified). Unit to be supplied with 2" PNC non-caulk drain.

Standard Color: White.



#### Note:

Does not meet I.A.P.M.O. minimum size requirements. Check local codes.

### Optional Colors

Colors matching most major manufacturers' colors are available.

### Standards

ANSI-Z-124.2



 **FLORESTONE**  
A Spec Above.™

**FLORESTONE PRODUCTS CO., INC.**

2851 Falcon Drive • Madera, CA 93637

T. 559.661.4171 • T. 800.446.8827

F. 559.661.2070 • florestone.com

**Dimensions may vary ± ¼" inch.**

**Please check unit before installation.**