

**Florestone  
Model 2PC-6034TS-3WTB  
Tub/Shower**

60" x 31½" x 73"  
Weight: 130 lbs.

**Architect's  
Specifications**

Furnish and install one piece tub/shower unit Model 2PC-6034TS-3WTB as manufactured by Florestone Products Company. Unit to be manufactured of gel-coated fiberglass and to be supplied with slip-resistant floor laminated for extra rigidity and corrugated board backing standard on all three sides for optional grab-bar installation.

Color will be white (unless otherwise specified).

Specify RH or LH drain.

Standard feature: Acrylic Towel Bar

**Colors**

Standard Color: White

Optional Colors: Almond, Biscuit, Bone and special Granite colors.

Color matching most major manufacturers' colors available.

**Standards**

I.A.P.M.O. Listed  
File 0687  
ANSI-Z-124.2

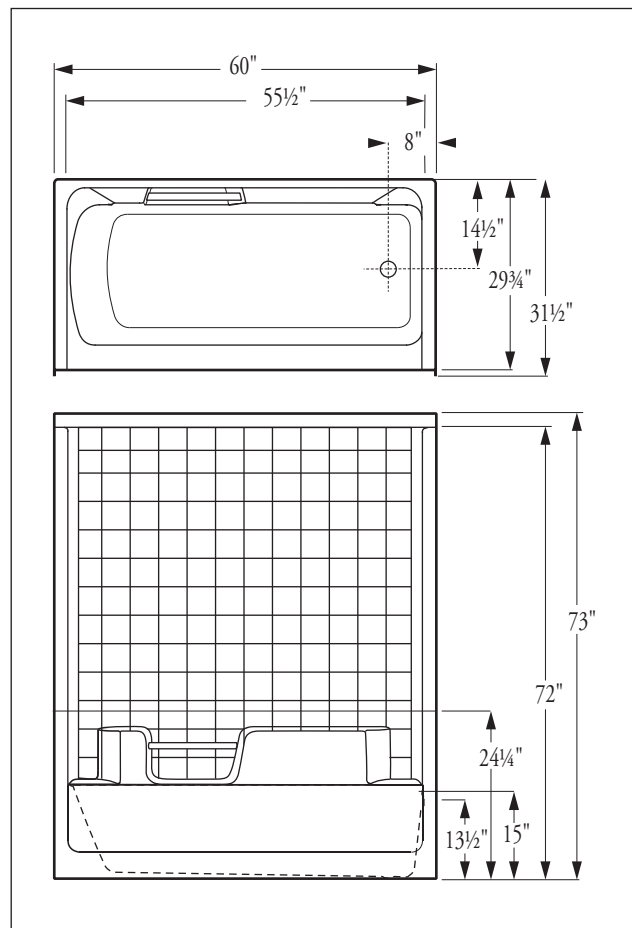


**FLORESTONE PRODUCTS CO., INC.**

2851 Falcon Drive • Madera, CA 93637  
T. 559.661.4171 • T. 800.446.8827  
F. 559.661.2070 • florestone.com



Above photo shown is a LH drain with optional grab-bar installation.



Bathing Area 53 x 21½ x 11½

**Dimensions may vary ± ¼" inch.  
Please check unit before installation.**