

Florestone Model 6020 Fiberglass Custom Bath

60" x 31" x 21"
Weight: 87 lbs.
Capacity: 50 gallons

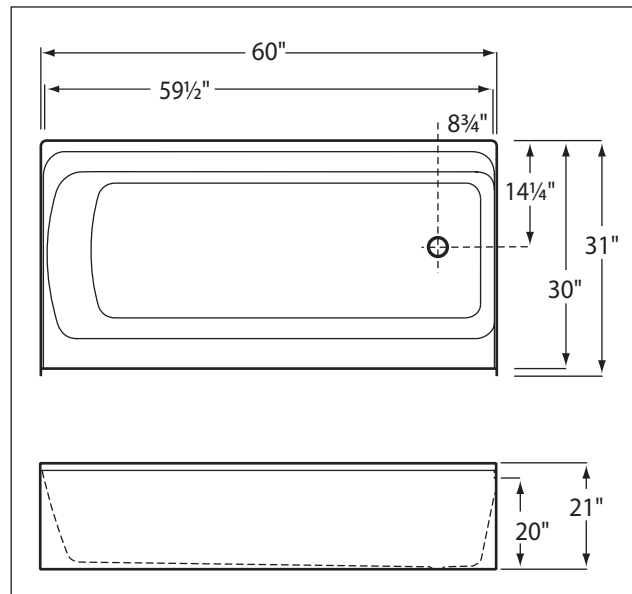
Architect's Specifications

Furnish and install bath unit Model 6020 full apron as manufactured by Florestone. Unit to be manufactured of acrylic coated fiberglass meeting Class C Flame Retardance. Unit to be supplied with laminated floor for extra rigidity.

Standard color: White.

Optional Colors

Colors matching most major manufacturers' colors are available.



**Dimensions may vary \pm 1/4" inch.
Please check unit before installation.**

**Place bath in a bed of mortar or plaster
for warranty compliance.**

Bathing Area 51" x 19" x 19 1/4"



FLORESTONE PRODUCTS CO., INC.

2851 Falcon Drive • Madera, CA 93637
T. 559.661.4171 • T. 800.446.8827
F. 559.661.2070 • florestone.com

Standards

I.A.P.M.O. Listed File 1595
ANSI-Z-124.1
ASTM-84 Test Method

