

**Florestone  
Model 3PC-40-40H  
Barrier-Free Shower**

42" x 37<sup>3</sup>/<sub>4</sub>" x 78"  
Weight: 215 lbs.

**Architect's  
Specifications**

Furnish and install three-piece gel-coated fiberglass shower stall Model 3PC-40-40H designed for barrier-free use as manufactured by Florestone Products Company. Basic shower will conform to ANSI-Z-124.2. Unit to include stainless steel curtain rod; Symmons® pressure balance mixing valve with concealed check stops; Moen® hand-held shower head with hose and chrome-plated slide bar; stainless steel corner grab bar; stainless steel recessed soap dish; white naugahyde folding wheelchair transfer seat (specify right or left hand).

Supplied with 2" brass drain.

Shower curtain optional.

Curtain Size: 45" x 75".

Standard Color: White.

Special order colors available.

**Standards:**

I.A.P.M.O. File No. 0687  
ANSI-Z-124.2



**FLORESTONE PRODUCTS CO., INC.**

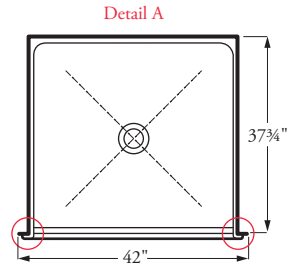
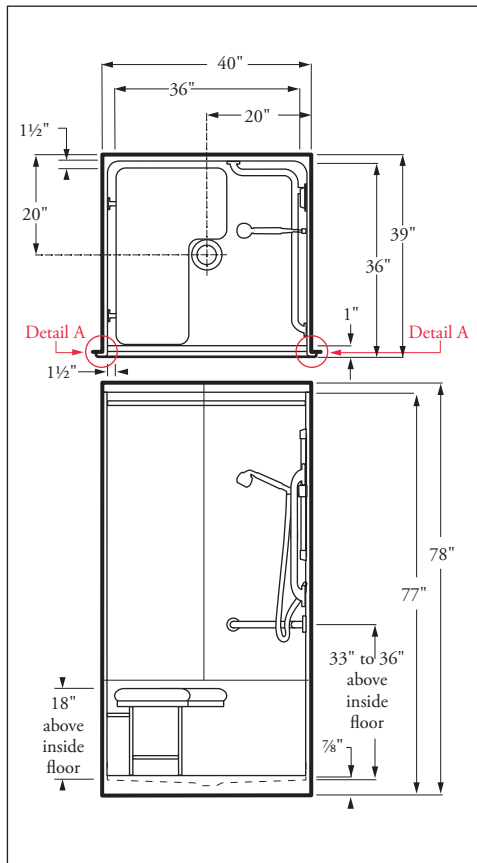
2851 Falcon Drive • Madera, CA 93637

T. 559.661.4171 • T. 800.446.8827

F. 559.661.2070 • florestone.com



ADA  
COMPLIANT\*



**Specify Right or Left Hand Seat**

**Dimensions may vary ± 1/4" inch.  
Please check unit before installation.**

For barrier-free installation, contractor shall provide 1/2" minimum recess for curb in sub floor.

ADA compliance when accessories installed by manufacturer.  
**Note: Exterior floor drain for water run-off recommended.**  
Symmons® is a Registered Trade Mark of Symmons Industries, Inc.  
Moen® is a Registered Trade Mark of Moen Corporation.

**Dimensions subject to  
change without notice.**

**Contact Florestone  
Products to verify  
product specifications.**